

D171MHU / D171MHULS Ball Valve PN25



FLUID SYSTEMS

D171MHU Bronze Draw-Off Valve D171MHULS Bronze Draw-Off Ball Valve with Lockshield

Crane D171 Ball Valves are light, compact units which are easy to install and operate, yet their robust construction ensures long, trouble free service life.

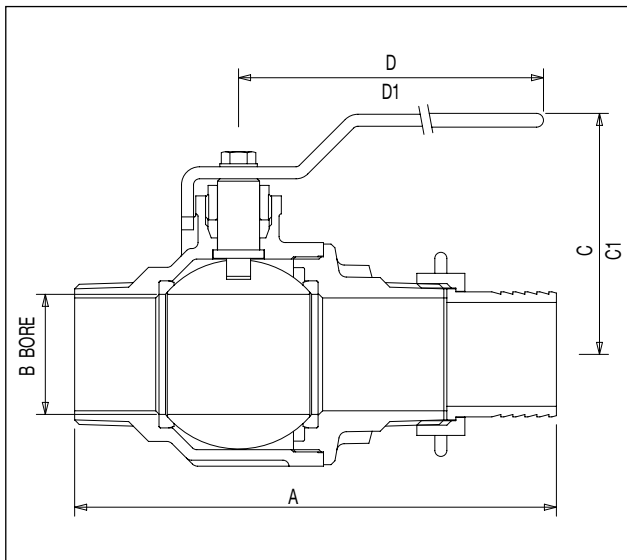
In addition the D171MHU and D171MHULS are WRAS approved.

Materials

Part	Material	Sizes
Body	Bronze BSEN1982 CC491K	All
Seat Retainer	Bronze BSEN1982 CC491K	All
Ball	DZR Brass BSEN12165 CW602N-Chrome Plated	All
Seat	PTFE	All
Stem	DZR Brass BSEN12164 CW602N	All
Packing	PTFE	All
Gland Nut	Brass BSEN12164 CW617N	All
Lever	Mild Steel (Zinc Plated)	D171MHU
Lever Screw	Mild Steel (Zinc Plated)	D171MHU
Lever Cover	PVC	D171MHU
Hose Connector	Brass BSEN12164 CW617N	All
Hose Union Nut	Brass BSEN12165 CW617N	All
Washer	PTFE	All
Lockshield Cap	Brass BSEN12164 CW617N	D171MHULS
Lockshield Cover	Nylon 6	D171MHULS



Dimensional Drawing



Dimensions and Weights

Size	Weight (kg)	A (mm)	B (mm)	C (mm)	C1 (mm) D171MHULS	D (mm)	D1 (mm) D171MHULS
1/2"	0.27	104	15	40	47	82	36
3/4"	0.55	124	20	58	51	92	36
1"	0.88	147	25	65	58	127	39

Pressure Rating: PN25

UK End Connection: BSEN10226 formerly BS21Taper/Hose union

US End Connection: Not Specified

Operator: Lever / Allen key

Specification:

End Entry, Quarter Turn, Tight Shut-Off

PTFE seats and stem seal, WRAS listed.

Male x hose union outlet

This valve is not suitable for use on Group 1 gasses and unstable fluids as defined by the Pressure Equipment Directive 97/23/EC.

Temperature operating range: -10 to 180°C.