

D191T T-Handle Brass Ball Valve D191LS Brass Lockshield Ball Valve

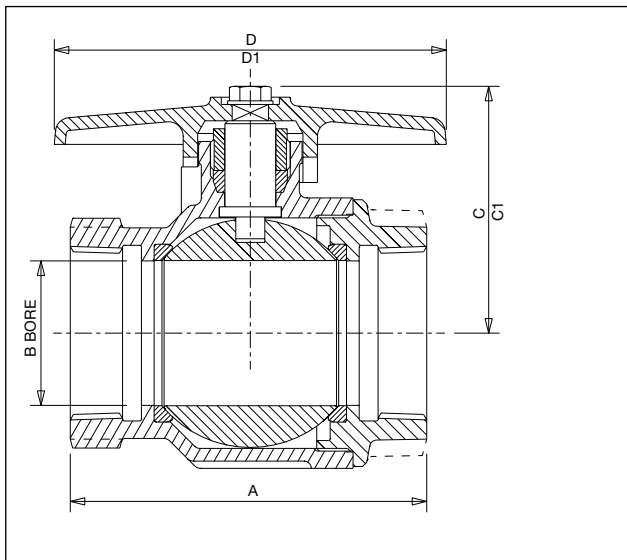
Crane D191T Ball valves are light, compact units which are easy to install and operate, yet their robust construction ensures long, trouble free service life.
Sizes 1/4" to 2" have the added advantage of British Gas Approval.

Materials

| Part | Material | Sizes |
|------------------|---|--------|
| Body | Brass BS EN 12165 CW617N(Nickel Plated) | All |
| Seat Retainer | Brass BS EN 12165 CW617N(Nickel Plated) | All |
| Ball | Brass BS EN 12165 CW617N(Chrome Plated) | All |
| Seats | PTFE | All |
| Stem | Brass BS EN 12164 CW617N | All |
| Packing | PTFE | All |
| Gland Nut | Brass BS EN 12164 CW617N | All |
| 'T' Handle | Aluminium | D191T |
| Screw | Steel | D191T |
| Lockshield | Brass BS EN 12164 CW617N | D191LS |
| Lockshield Cover | Nylon 6 | D191LS |



Dimensional Drawing



Dimensions and Weights

| Size | Weight (kg) | A (mm) | B (mm) | C (mm) | C1 (mm) D191LS | D (mm) | D1 (mm) D191LS |
|--------|-------------|--------|--------|--------|-------------------|--------|-------------------|
| 1/4" | 0.11 | 48 | 10 | 30 | 37 | 39 | 36 |
| 3/8" | 0.11 | 48 | 10 | 30 | 37 | 39 | 36 |
| 1/2" | 0.22 | 56 | 13 | 32 | 50 | 39 | 36 |
| 3/4" | 0.32 | 67 | 20 | 42 | 51 | 55 | 36 |
| 1" | 0.55 | 77 | 25 | 52 | 58 | 82 | 39 |
| 1.1/4" | 0.78 | 92 | 32 | 58 | 63 | 82 | 39 |
| 1.1/2" | 1.27 | 103 | 40 | 68 | 76 | 110 | 49 |
| 2" | 1.93 | 122 | 50 | 76 | 84 | 110 | 49 |

Pressure Rating: PN25

UK End Connection: BSEN10226 formerly BS21 Taper

US End Connection: ANSI B1.20.1

Operator: T-Handle / Allen key

Specification:

End Entry, Quarter Turn, Tight Shut-Off

PTFE seats and stem seal

Not suitable for use on unstable fluids as defined by the Pressure Equipment Directive 97/23/EC.

Temperature operating range: -10 to 186°C.