

DM925LW

Lever Operated Double Regulating Valve



PN16

Features & Benefits

- WRAS approved Double Regulating Valves consists of a fully lugged, WRAS approved EPDM liner butterfly valve with a Double Regulating Lever
- The Double Regulating feature allows the valve to be used for isolation and to be reopened to its pre-set position to maintain required flow rate
- Use the DM925LW with Orifice plate Fig.DM900 for Commissioning Set

Materials

PART	MATERIAL	SPECIFICATION
Body	Ductile Iron	ASTM A536 65-45-12
Disc	Aluminium Bronze	
Seat	EPDM WRAS approved	WRAS approved
Shaft	Stainless Steel	ASTM A532 Type 416
Taper Pin	Stainless Steel	ASTM A276 Type 316
Key	Carbon Steel	
O-Ring	Nitrile (Buna)	
Shaft Bushing	PTFE or Bronze	

Dimensions & Weights

SIZE (DN)	A (mm)	B (mm)	C (mm)	D (mm)	WEIGHT (kg)
65	207	95	260	48	5
80	213	102	260	48	8
100	232	124	260	48	13
125	245	137	260	57	14
150	256	150	266	57	15

Coefficients*

SIZE (DN)	FLOW (Kv)	HEADLOSS (K)
65	170	0.856
80	261	0.856
100	519	0.650
125	884	0.553
150	1142	0.483

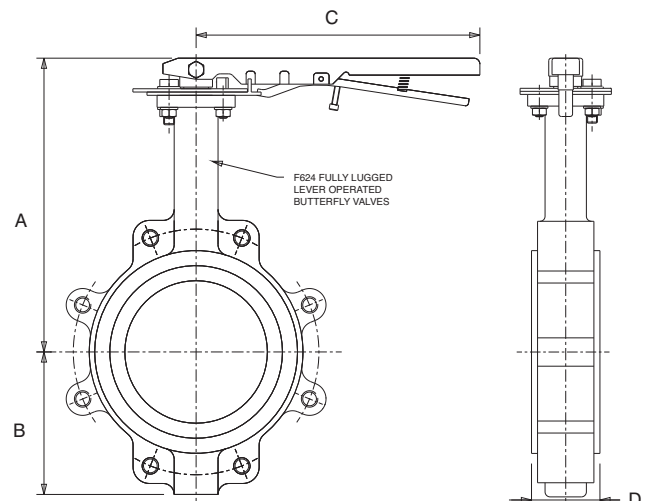
* Fully open position

PRESSURE / TEMPERATURE RATING: 16 bar from -10 to 80 °C



PUBLIC HEALTH

Dimensional Drawing



Pressure/Temperature Ratings

TEMPERATURE (°C)	-10 to 80
PRESSURE (BAR)	16