

D931.PF Range

Bronze Fixed Orifice Double Regulating Valve



PRESS-FIT VALVES

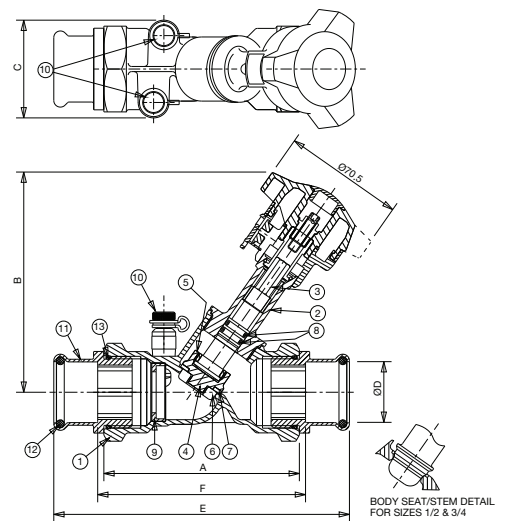
Features & Benefits

- Fixed Orifice Double regulating valve complete with Press-Fit connectors
- Provides precise and accurate flow regulation & measurement
- Supplied as one integral unit means less joints to make on-site
- The performance, exact dimensions & tolerances are known in advance
- Incorporates both Crane Fluid Systems and proven Geberit Mapress technology
- Vibration tested to DVGW and bend tested to BS EN331
- Quickly and easily installed using a Press-Fit tool (supplied by others)

Materials

NO.	COMPONENT	MATERIAL	SPECIFICATION
1	Body	Bronze	BS EN 1982 CC491K
2	Bonnet - 1/2" - 1 1/4"	DZR Brass	BS EN 12165 CW602N
	Bonnet - 1 1/2" - 2"	Bronze	BS EN 1982 CC491K
3	Stem	DZR Brass	BS EN 12165 CW602N
4	Disc	DZR Brass	BS EN 12165 CW602N
5	Disc Retaining Ring (SIZES 1-2 ONLY)	DZR Brass	BS EN 12165 CW602N
6	Balancing Cone	DZR Brass	BS EN 12165 CW602N
7	Disc Face (SIZES 1-2" ONLY)	PTFE	-
8	'O' Ring Seal	EPDM Rubber	WRAS Approved
9	Orifice Insert	DZR Brass	BS EN 12164 CW602N
10	Cat.No.P84 Press. Test Valve	DZR Brass	BS EN 12164 CW602N
11	Press-Fit Connector	Bronze	BS EN 1982 CC499K
12	Connector 'O' Ring	CIIR Butyl Rubber	-
13	Joint 'O' Ring	EPDM Rubber	WRAS Approved

Dimensional Drawing



Dimensions & Weights

FIG NO.	SIZE (mm)	DIMENSIONS (mm)						WEIGHT (kg)
		A	B	C	ØD	E	F	
D931.PF / D933.PF / D934.PF	1/2 x 15	87	110	46	15	132	93	0.716
	1/2 x 18	87	110	46	18	133	94	0.720
D931.PF	3/4 x 22	96	111	51	22	147	106	0.788
	1 x 28	100	132	56	28	152	107	1.136
	1 1/4 x 35	114	133	57	35	172	121	1.434
	1 1/2 x 42	125	148	61	42	193	134	1.906
	2 x 54	146	149	75	54	227	158	2.512

PRESSURE RATING: PN16

TEMPERATURE OPERATING RANGE: -10 to 120°C (max)*

OPTIONS: available in standard flow (D931.PF), low flow (D933.PF) and ultra-low flow (D934.PF)

CRANE FS D931.PF SPECIFICATION CLAUSE: Bronze (BS EN 1982 CC491K) 'Y' Pattern Globe Type Fixed Orifice Double Regulating Valve incorporating integral orifice with corner tappings terminating in Crane P84 test points. Double regulating feature set by Allen Key and valve operation by Microset handwheel. Disk with PTFE insert on sizes 1" and above. The entire unit provides a measurement accuracy of ± 5%. Conforms to BS7350 for flow measurement and regulation. Complete with Geberit Mapress bronze Press-Fit adaptors Rated PN16, (Maximum temperature 120 deg C). Other specification clauses are available on request and on our website

* WRAS approval is for cold water only -10 to 23°C

Valid as of 01/10/14, WRAS

Every effort has been made to ensure that the information contained in this publication is accurate at the time of publishing. Crane Ltd assumes no responsibility or liability for typographical errors or omissions or for any misinterpretation of the information within the publication and reserves the right to change without notice.