

## DM925G / DM925L

**ProBalance**

Gearbox/Lever Operated  
Double Regulating Valve (DRV)

PN16

### Features & Benefits

- The DM925G and DM925L Double Regulating Valves consist of a fully lugged, EPDM liner butterfly valve with a Double Regulating gearbox or lever
- The Double Regulating feature allows the valve to be used for isolation and to be reopened to its pre-set position to maintain required flow rate
- As an alternative to the DM921, the DM925G and DM925L can be used in conjunction with a flow measurement device to measure flow

### Materials

PART	MATERIAL	SIZES
Body	Ductile Iron ASTM A536 65-45-12	All
Disc	Aluminium Bronze	All
Seat	EPDM	All
Shaft	Stainless Steel ASTM A532 Type 416	All
Taper Pin	Stainless Steel ASTM A276 Type 316	All
Key	Carbon Steel	All
O-Ring	Nitrile (Buna)	All
Shaft Bushing	PTFE or Bronze	All

### Dimensions & Weights

SIZE (DN)	WEIGHT (kg)	A (mm)	B (mm)	C (mm)	D (mm)	E (mm)	F (mm)	G (mm)	H (mm)	I (mm)	J (mm)	K (mm)	L (mm)
50	8.6	162	80	150	42	-	45	54	158	195	83	260	44
65	9.1	175	89	150	45	-	45	54	158	207	95	260	48
80	11.8	181	95	150	45	-	45	54	158	213	102	260	48
100	17.2	200	144	150	52	-	45	54	158	232	124	260	54
125	18.1	213	127	200	54	-	45	54	148	245	137	260	57
150	19.5	225	140	200	56	-	45	54	148	256	150	266	57
200	29.5	260	175	300	61	-	78	81	226	-	-	-	-
250	39.9	292	203	300	66	-	78	81	226	-	-	-	-
300	54.9	337	242	300	77	-	78	81	226	-	-	-	-
350	61.0	406	279	300	78	-	78	81	226	-	-	-	-
400	94.0	447	305	450	76	-	120	130	277	-	-	-	-
450	139.7	479	381	450	105	456	185	130	321	-	-	356	-
500	215.5	536	394	450	130	456	185	160	321	-	-	356	-
600	337.3	625	457	450	151	456	185	160	355	-	-	356	-

### Coefficients\*

SIZE (DN)	FLOW (Kv)	HEADLOSS (K)
50	100	1.000
65	170	0.988
80	261	0.962
100	519	0.594
125	884	0.500
150	1366	0.434
200	2713	0.348
250	4619	0.293
300	7136	0.255
350	6087	0.648
400	9010	0.505
450	10566	0.588
500	13804	0.525
600	18052	0.636

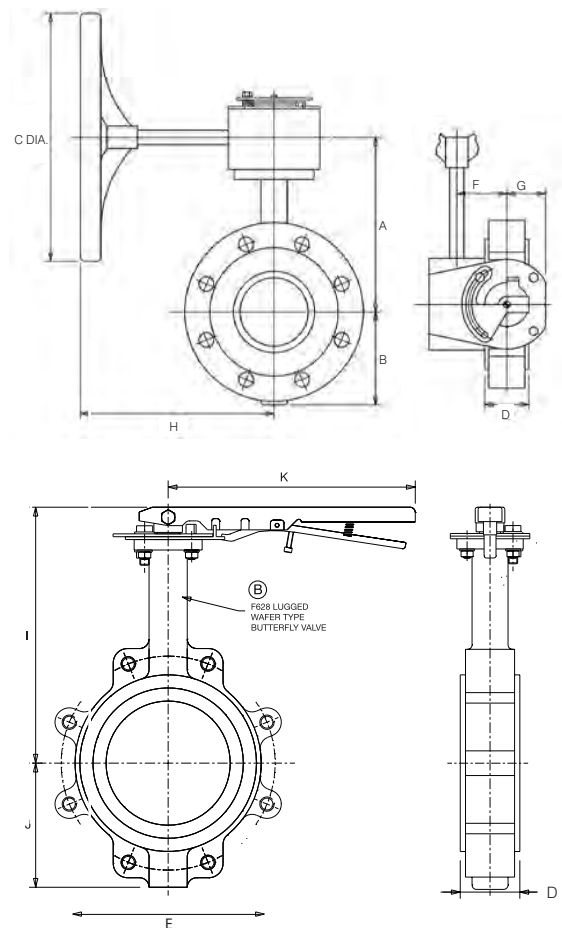
\*Fully open position.



DM925G

BALANCING VALVES

### Dimensional Drawing



### Pressure/Temperature Ratings

TEMPERATURE (°C)	-10 to 130
PRESSURE (BAR)	16