

DPAF961 - Flow DPAF961 - Return



Differential Pressure Control Valves

PN16

To meet the growing use of variable speed pumps for HVAC applications, Crane Fluid Systems has launched a range of Differential Pressure Control Valves (DPCV) specifically aimed at optimising system performance. Extremely efficient, the DPCV is set to a maximum differential pressure which ensures flow cannot exceed a desired rate. It therefore helps reduce energy consumption, the risk of noise and simplifies the commissioning process.

Materials

ITEM	DESCRIPTION	MATERIAL
1	Body	Bronze BS EN 1982 (CC491K)
2	Bonnet	Bronze BS EN 1982 (CC491K)
3	Chamber	Bronze BS EN 1982 (CC491K)
4	Adjuster	Nylon Grade PA6
INT	Stem / Piston	Stainless Steel BS EN 10088 - 1: 2005
INT	Diaphragm	Rubber EPDM
INT	O-Ring Seals	Rubber EPDM

See diagrams for item numbers
INT denotes an internal component not visible on these drawings



DPAF961

Female Ended DPCV

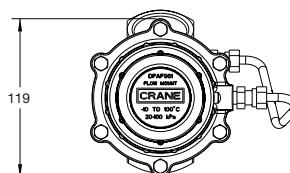
BALANCING VALVES

Dimensions & Weights

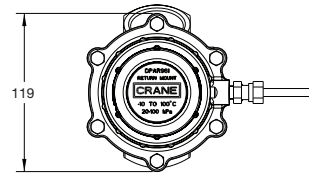
SIZE	A (mm)	B (mm)	END CONNECTION BS EN 10226	WEIGHT (kg)	FLOW (Fully Open Kv)
DN15	87	175	Rp 1/2" Parallel	2.32	2.32
DN20	96	175	Rp 3/4" Parallel	2.36	3.2
DN25	100	185	Rc 1" Taper	2.53	6.45
DN32	114	190	Rc 1 1/4" Taper	2.73	10.9
DN40	125	195	Rc 1 1/2" Taper	3.01	16.7
DN50	146	205	Rc 2" Taper	3.46	26

DN15 & DN20 End Connections: BS EN 10226 Rp Parallel
DN25 to DN50 End Connections: BS EN 10226 Rc Taper

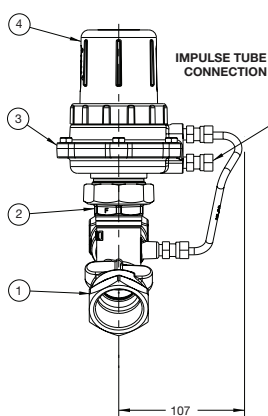
Dimensional Drawings



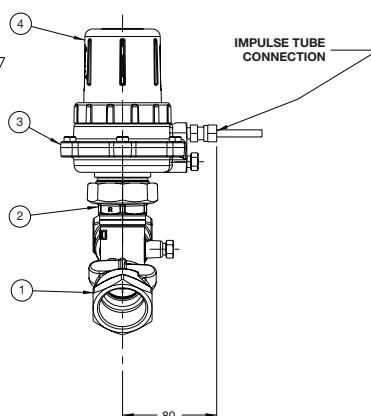
Flow Configuration



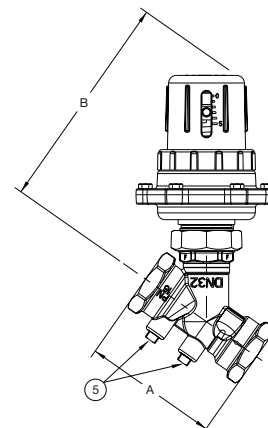
Return Configuration



Flow Configuration
End View



Return Configuration
End View



Flow & Return Configuration
Front View

Valid as of 160418

Every effort has been made to ensure that the information contained in this publication is accurate at the time of publishing. Crane Ltd assumes no responsibility or liability for typographical errors or omissions or for any misinterpretation of the information within the publication and reserves the right to change without notice.