

D171CT

Compression Ended T-Handle Ball Valve



D171CLS

Compression Ended Lockshield Ball Valve

PN16

Features & Benefits

- Designed to be light, compact and easy to install and operate
- WRAS approved for use on hot and cold water systems up to 85°C
- Features improved leak resistance and reduced risk of damage from over tightening.

Materials

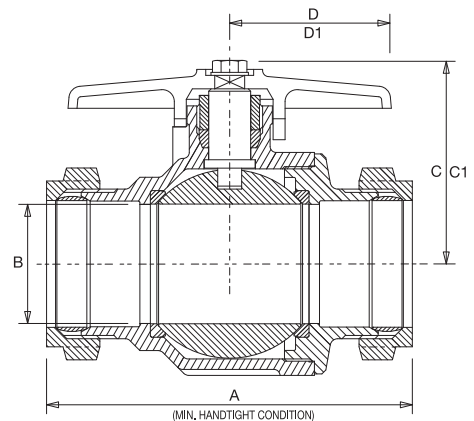
PART	MATERIAL	SIZES
Body	Bronze BS EN 1982 CC491K	All
Seat Retainer	Bronze BS EN 1982 CC491K	15 - 28
Seat Retainer	Bronze BS EN 1982 CC491K	35 - 54
Ball	DZR Brass BS EN 12165 CW602N	All
Seat	PTFE	All
Stem	DZR Brass BS EN 12164 CW602N	All
Packing	PTFE	All
Gland Nut	Brass BS EN 12164 CW617N	All
T-Handle	Aluminium	D171CT
Screw	Steel (Zinc Plated)	D171CT
Compression Olive	Brass BS EN 12449 CW505L/CW507L	All
Compression Nut	DZR Brass BS EN 12165 CW617N	All
Lockshield	Brass BS 2872	D171CLS
Lockshield Cover	Nylon 6	D171CLS

Dimensions & Weights

SIZE (mm)	WEIGHT (kg)	A (mm)	B (mm)	C (mm)	C1 (mm)	D (mm)	D1 (mm)
15	0.25	80	15	42	48	55	29
22	0.47	84	20	43	51	55	36
28	0.73	95	25	53	58	83	39



Dimensional Drawing



Pressure/Temperature Ratings

Compression

TEMPERATURE (°C)	-10 to 30	65	120
PRESSURE (BAR)	16	10	5

Intermediate pressure ratings shall be determined by interpolation.

PRESSURE RATING: PN16

TEMPERATURE OPERATING RANGE: -10 to 120°C

UK END CONNECTION: Compression ends to suit BS EN 1057: Half hard R250 copper tube

OPERATOR: T-Handle / Allen Key

SPECIFICATION: Quarter Turn, Tight Shut-off.

This valve is intended for Group 2 liquids as defined by the Pressure Equipment Directive 97/23/EC.*

* See page 251 for more information