

D340

Bronze Draining Tap



PN16

Features & Benefits

- Bronze draining taps are suitable for use on hot and cold water up to 16bar, at temperatures up to 110°C
- The inlet is a threaded taper male connection to BS 21
- The outlet is ribbed for hose connection
- WRAS approval up to 10bar, 99°C only. Valve rated 16bar, 110°C

Materials

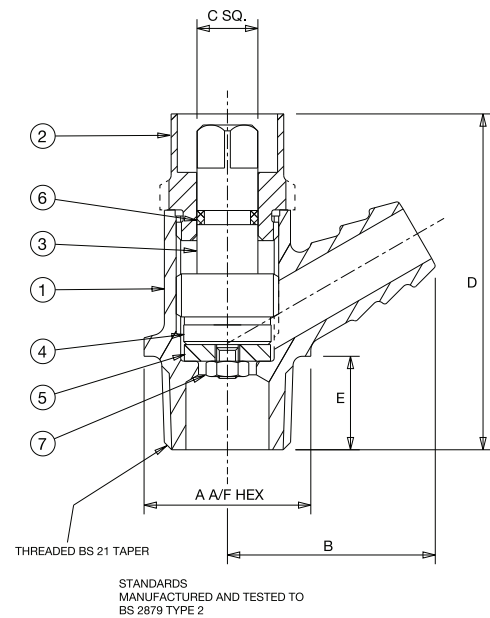
NO.	PART	MATERIAL	SIZES
1	Body	Bronze BS EN 1982 CC491K	All
2	Gland	Brass BS EN 12164 CW614N	All
3	Stem	Brass BS EN 12164 CW614N	All
4	Washer Plate	Brass BS EN 12164 CW614N	All
5	Washer	Ethylene Propylene	All
6	O-Ring	Ethylene Propylene	All
7	Nut	Brass BS EN 12164 CW614N	1" only

Dimensions & Weights

SIZE (inch)	WEIGHT (kg)	A (mm)	B (mm)	C (mm)	D (mm)		E (mm)
					Closed	Open	
1/2	0.13	24.6	33	7.7	55	59	15
3/4	0.35	33.5	47.9	8.4	65	70.5	16
1	0.59	40	62.5	9.5	81.5	89	20



Dimensional Drawing



PRESSURE RATING: PN16

TEMPERATURE OPERATING RANGE: 0 to 110°C

UK END CONNECTION: BS 21 Taper Male

OPERATOR: Lockshield

SPECIFICATION: Sizes 1/2" and 3/4" draining taps are designed and manufactured in accordance with BS 2879 type 2.

This valve is excluded from the requirements of the Pressure Equipment Directive 97/23/EC, Article 1 - 3.20.