

F612 / F622 / F627

Semi-lugged gearbox operated
Butterfly Valves



F622
Sizes 50-300mm **PN16**



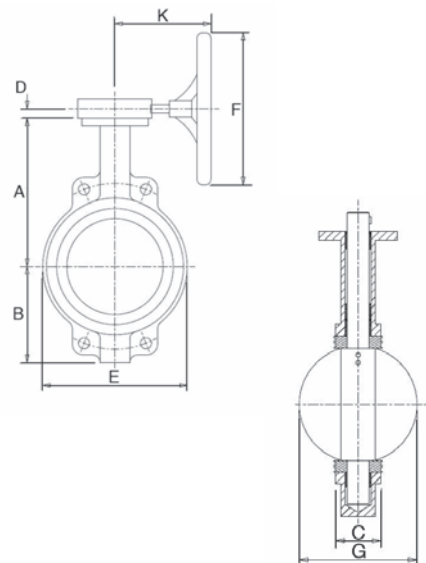
Features & Benefits

- Aluminium Bronze disc
- Stainless steel shaft
- Gearbox operated
- Valves 50-300mm are suitable for use with flanges conforming to BS EN 1092-2 PN10 or PN16 and ANSI B16.1 Class 125
- Sizes 350mm to 600mm are only PN16 flanges
- F622 sizes 50-300mm are WRAS approved

Materials

PART	MATERIAL
Body	Ductile Iron ASTM A536 (Epoxy Paint)
Disc	Aluminium Bronze
Liner (F612)	Nitrile Temp. -10 to 90°C
Liner (F622)	EPDM (WRAS approved) Temp. -10 to 100°C (80°C WRAS)
Liner (F627)	EPDM (High Temperature) Temp. -10 to 130°C
Shaft	Stainless Steel Type 410
Taper Pin	Stainless Steel Type 316
Key	Carbon Steel
O-Ring	Buna-N
Bushing	PTFE

Dimensional Drawing



All dimensions are nominal.

Pressure/Temperature Ratings

	F612	F622	F627
TEMPERATURE (°C)	-10 to 90	-10 to 100	-10 to 130
PRESSURE (BAR)	16	16	16

Intermediate pressure ratings shall be determined by interpolation.

WRAS approved -10 to 80 °c

Dimensions & Weights

SIZE (mm)	WEIGHT (kg)	A (mm)	B (mm)	C (mm)	D (mm)	E (mm)	F (mm)	G (mm)	H (mm)	J (mm)	K (mm)
50	15	162	80	44	42	102	150	53	60	75	240
65	15.5	175	83	48	42	121	150	64	60	75	240
80	16.9	181	95	48	42	130	150	79	60	75	240
100	18.2	200	114	54	42	171	150	104	60	75	240
125	20.5	213	127	57	42	197	300	123	60	75	240
150	21.4	225	140	57	42	219	300	156	60	75	240
200	29	260	175	63	40	268	300	203	80	80	230
250	33.5	292	203	70	40	332	300	251	80	80	230
300	45.8	337	242	79	40	410	300	302	80	80	230
350	56.2	368	279	79	40	432	300	334	80	80	230
400	88.4	400	305	89	57	448	450	390	120	130	277
450	110.2	422	349	108	57	546	450	441	120	130	277
500	160.5	479	381	133	100	592	450	480	185	160	321
600	260	562	457	156	100	708	450	537	185	160	335

PRESSURE RATING: PN16 / ANSI CLASS 125

END CONNECTION: Semi-Lugged

OPERATOR: Gearbox

SPECIFICATION: Conforms to BS EN 593: 2009

F612 - Suitable for Group 1 and 2 gases and Group 1 and 2 liquids as defined by the Pressure Equipment Directive 97/23/EC.*

F622 - Suitable for Group 2 liquids only as defined by the Pressure Equipment Directive 97/23/EC* and these valves are WRAS approved.

F627 - Suitable for Group 2 liquids only as defined by the Pressure Equipment Directive 97/23/EC.*

* See page 251 for more information

Every effort has been made to ensure that the information contained in this publication is accurate at the time of publishing. Crane Ltd assumes no responsibility or liability for typographical errors or omissions or for any misinterpretation of the information within the publication and reserves the right to change without notice.