

D1088

Thermostatic Mixing Valve
BuildCert TMV3 & TMV2



PN10

Features & Benefits

- A self-acting Thermostatic Mixing Valve designed to blend hot and cold water, to ensure a constant, controlled safe outlet temperature
- Fulfills the 'duty of care' requirements against scalding
- Ideal for healthcare, schools, workplace and domestic environments
- Flat face union ensures easy removal for maintenance
- Integral strainers and check valves
- Tamper-proof adjustment
- WRAS Approved maximum operating temperature 85°C

Materials

PART	MATERIAL	SPECIFICATION	QUANTITY
Body	Chrome Plated Brass	CW602N	1
Bonnet	Brass	CW602N	1
Check Valve	Body - POM	-	2
	O-ring - EPDM	-	
	Spring - Stainless Steel	AISI304	
Cap	ABS	-	1
Element	Vernet	0829	1
Water Flow Directors	PSU	-	1
Spring	Stainless Steel	SUS304	2
O-Ring	EPDM	EP7118F	4
Strainer	Stainless Steel	SUS304	2
Compression Olive	Brass	CW507L	3

Dimensions & Weights

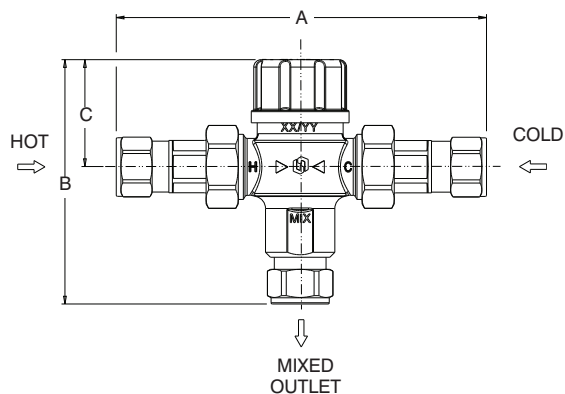
SIZE (mm)	A (mm)	B (mm)	C (mm)	WEIGHT (kg)
15	143	97	43.5	0.55
22	161	102	43.5	0.79



D1088

PUBLIC HEALTH

Dimensional Drawing



PRESSURE RATING: PN10

OPERATOR: Lockshield

SPECIFICATION: The D1088 Thermostatic Mixing Valve is certified under the BuildCert TMV2 & TMV3 schemes and is a WRAS approved product listed in the WRAS Approvals Directory.

Crane products are designed for installation and use within suitably designed systems reflecting CIBSE, BSRIA and HVAC guidelines.

FACTORY SETTING: 41°C

TEMPERATURE SETTING RANGE: 30-50°C

MINIMUM HOT TO MIX TEMPERATURE: 10°C

TEMPERATURE STABILITY: ±2°C

MAXIMUM WORKING PRESSURE: 10 bar

KV: 15MM - 0.99m³/h 22MM - 1.59m³/h

MINIMUM FLOW RATE: 5 l/min

Valid as of 171116

Every effort has been made to ensure that the information contained in this publication is accurate at the time of publishing. Crane Ltd assumes no responsibility or liability for typographical errors or omissions or for any misinterpretation of the information within the publication and reserves the right to change without notice.