

## D138.PF

Bronze Check Valve

PN16

### Features & Benefits

- Check valve complete with Press-Fit connectors
- Permits flow in one direction & automatically closes if flow reverses
- Supplied as one integral unit means less joints to make on-site
- The performance, exact dimensions & tolerances are known in advance
- Incorporates both Crane Fluid Systems and proven Geberit Mapress technology
- Vibration tested to DVGW and bend tested to BS EN 331
- Quickly and easily installed using a Press-Fit tool (supplied by others)

### Materials

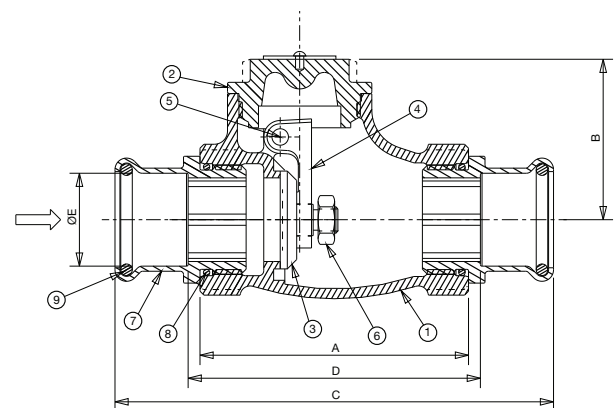
NO.	COMPONENT	MATERIAL	SPECIFICATION
1	Body	Bronze	BS EN 1982 CC491K
2	Cap	Bronze	BS EN 1982 CC491K
3	Disc - 1/2" - 1"	Brass	BS EN12164 CW614N
	Disc - 1/4" - 2"	Bronze	BS EN 1982 CC491K
4	Hinge	Bronze	BS EN 1982 CC491K
5	Hinge Pin	Stainless Steel	BS970 GR316S11
6	Hinge Nut	Brass	BS EN12164 CW614N
7	Press-Fit Connector	Bronze	BS EN 1982 CC499K
8	Joint 'O' Ring	EPDM Rubber	WRAS Approved
9	Connector 'O' Ring	CIIR Butyl Rubber	WRAS Approved



### Dimensions & Weights

SIZE (mm)	DIMENSIONS (mm)					WEIGHT (kg)
	A	B	C	D	ØE	
1/2 x 15	59.5	33	104.1	65.1	15	0.42
1/2 x 18	59.5	38	105.5	66.5	18	0.42
3/4 x 22	68.0	42	119.0	78.0	22	0.57
1 x 28	81.5	49	133.1	88.1	28	0.70
1 1/4 x 35	93.2	56	151.6	100.6	35	1.31
1 1/2 x 42	98.3	65	166.5	107.5	42	1.73
2 x 54	110.6	76	191.6	122.6	54	2.65

### Dimensional Drawing



**PRESSURE RATING:** PN16

**TEMPERATURE RANGE:** -10 to 120°C

**CRANE FS D171A.PF SPECIFICATION CLAUSE:** Bronze (BS 1982 CC491K) Check Valve, swing type to BS 5154 series 'B'. Metal disk, free to rotate and hinge pin mounted. Screwed-in cap. Integral seat. Complete with Geberit Mapress bronze Press-Fit adaptors. Rated PN16, (Maximum temperature 120 deg C).

Valid as of 010112

Every effort has been made to ensure that the information contained in this publication is accurate at the time of publishing. Crane Ltd assumes no responsibility or liability for typographical errors or omissions or for any misinterpretation of the information within the publication and reserves the right to change without notice.