

D298.PF

Bronze Strainer



PN16



D298.PF

Features & Benefits

- Quarter-turn full-bore isolation valve complete with Press-Fit connectors
- Supplied as one integral unit means less joints to make on-site
- The performance, exact dimensions & tolerances are known in advance
- Incorporates both Crane Fluid Systems and proven Geberit Mapress technology
- Vibration tested to DVGW and bend tested to BS EN 331
- Quickly and easily installed using a Press-Fit tool (supplied by others)



D298.PF PRESSED

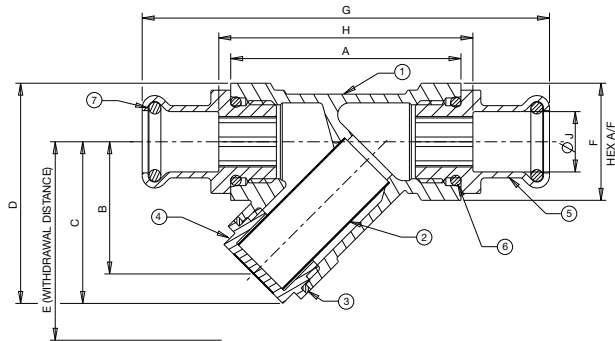
Materials

NO.	COMPONENT	MATERIAL	SPECIFICATION
1	Body	Bronze	BS EN 1982 CC491K
2	Mesh	Stainless Steel	AISI Type 304
3	Cap Seal	P.T.F.E	-
4	Cap	Bronze	BS EN 1982 CC491K
5	Press-Fit Connector	Bronze	BS EN 1982 CC499K
6	Joint 'O' Ring	EPDM Rubber	WRAS Approved
7	Connector 'O' Ring	CIIR Butyl Rubber	-

Dimensions & Weights

SIZE (mm)	DIMENSIONS (mm)										WEIGHT (kg)
	MESH HOLE Ø	A	B	C	D	E	F	G	H	ØJ	
1/2 x 15	0.75	58	33	40	55	62	27	103	64	15	0.284
1/2 x 18	0.75	58	33	40	55	62	27	104	64	18	0.290
3/4 x 22	0.75	70	42	54	69	80	33	121	80	22	0.443
1 x 28	0.75	88	48	60	80	93	40	140	95	28	0.612
1 1/4 x 35	1.40	96	55	69	95	108	49	154	103	35	1.064
1 1/2 x 42	1.40	107	61	76	107	118	55	175	117	42	1.416
2 x 54	1.40	126	79	99	135	153	67	207	138	54	2.030

Dimensional Drawing



PRESSURE RATING: PN16

TEMPERATURE RANGE: -10 to 120°C (max)*

CRANE FS D298.PF SPECIFICATION CLAUSE:

Bronze (BS EN 1982 CC491K) 'Y' type Strainer. Fitted with perforated stainless steel screen with 0.75 mm holes (1/2in to 1in) and 1.40mm holes (1.1/4in to 2in). Machined screen seats in body and cap ends. Screwed-in cap with captive washer. Complete with Geberit Mapress bronze Press-Fit adaptors Rated PN16, (Maximum temperature 120 deg C).

* WRAS approval is for cold water only -10 to 23°C

Every effort has been made to ensure that the information contained in this publication is accurate at the time of publishing. Crane Ltd assumes no responsibility or liability for typographical errors or omissions or for any misinterpretation of the information within the publication and reserves the right to change without notice.