

DM1716, DM1725

Pressure Reducing Valves



PN16, PN25*



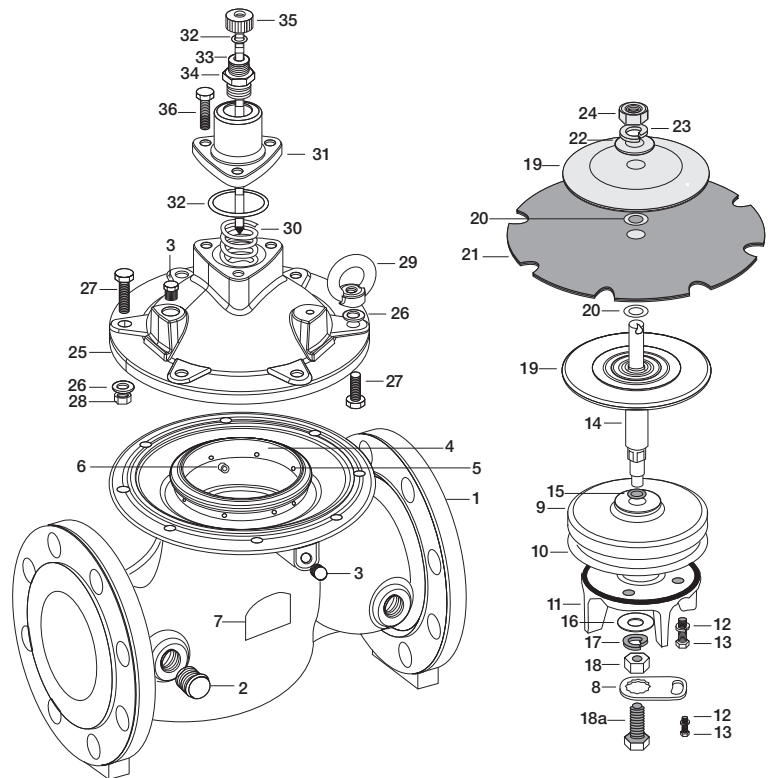
Features & Benefits

- PRVs enable control of pressure from boosted cold water supplies to match site requirements
- Has a pilot valve assembly to enable accurate pressure control
- Easy setting of the outlet pressure using built-in pressure gauge
- Simple to install
- WRAS approved
- Sizes DN100 & DN150

Materials

NO.	PART	MATERIAL
1	Body	Ductile iron
2	Plug	Brass
3	Plug	Brass
4	Body Seat	Stainless steel
5	Seat locking bolt	304 stainless steel
6	Seat locking bolt long	304 stainless steel
7	Nameplate	Aluminium
8≈	Bolt locking plate	Stainless steel
9	Disc	Ductile iron
10	Disk facing	Rubber
11	Disc Guide	Bronze + St Steel
12	Spring Washer	316 stainless steel
13	Bolt	316 stainless steel
14	Stem	303 stainless steel
15	'O' Ring	Rubber
16	Washer	316 stainless steel
17	Spring washer	316 stainless steel
18≈	Nut	316 stainless steel
18a≈	Bolt	316 stainless steel
19	Diaphragm disc	Ductile Iron
20	'O' Ring	Ductile Iron
21	Diaphragm	Rubber
22	Washer	316 stainless steel
23	Spring Washer	316 stainless steel
24	Nut	316 stainless steel
25	Cover	Ductile Iron
26*	Washer	Stainless steel
27*	Bolt	Stainless steel
28*	Nut	Stainless steel
29	Lifting Nut	Steel
30	Spring	302 stainless steel
31	Guide cover	Brass/Bronze
32	'O' Ring	Rubber
33	'O' Ring	Rubber
34	Adaptor	Brass
35	Air release nut	Brass
36	Guide cover bolts	Steel

Components - Basic Valve



≈DN150 sizes

≈DN100 sizes

*DN100 & DN150

* PN25 flanged can only be used to a maximum operating inlet pressure of 18 bar. Refer to Cavitation Chart, inlet and outlet pressure, in IOM.

Every effort has been made to ensure that the information contained in this publication is accurate at the time of publishing. Crane Ltd assumes no responsibility or liability for typographical errors or omissions or for any misinterpretation of the information within the publication and reserves the right to change without notice.