

FM638 & FM639

Fully Lugged Butterfly Valve

FM639

PN25



GENERAL VALVES

Features & Benefits

- Robust, ductile Iron valve bodies for long service life
- Stainless steel disc for improved strength and a wide range of applications
- Suitable for wide temperature range -10°C to 120°C
- Extended size range for application requirements
- Fully lugged for secure installation
- Rated PN25 for higher pressure applications
- Lever (FM638) and Gearbox (FM639) options available

Materials

NO.	PART	MATERIAL	SPECIFICATION	SIZE
1	Body	DI (EN-GJS-400-15)	ASTM A536 65-45-12	DN50 - DN300
1	Body	Ductile Iron	EN-GJS-450-10	DN350 - DN600
2	Disc	Stainless Steel 304	ASTM A351 CF8	
3	Shaft	Stainless Steel 431	ASTM A276 431	DN50 - DN300
3	Shaft	Stainless Steel 630	ASTM A564 630	DN350 - DN600
4	Short Bushing	Aluminum Bronze	ASTM B148-952A	
5	Seat	EPDM	-	
6	Long Bushing	Aluminum Bronze	ASTM B148-952A	
7	Long Bushing	Aluminum Bronze	ASTM B148-952A	
8	'O' Ring	NBR	-	
9	Pin	Stainless Steel 431	ASTM A276 431	DN50 - DN300
9	Pin	Stainless Steel 630	ASTM A564 630	DN350 - DN600
10	Top Cap (FM638)	Carbon Steel	ASTM A194 Gr. 2H	
10	Hand Wheel (FM639)	-	-	
11	Bolt	Carbon Steel	ASTM A194 Gr. 2H	
12	Lever (FM638)	Malleable Iron	ASTM Gr. 32510	
12	Gear Box (FM639)	Cast Iron	EN-GJL-250	DN50 - DN300
12	Gear Box (FM639)	Ductile Iron	EN-GJS-450-10	DN350 - DN600

Dimensions & Weights

FM639 Geared Butterfly Valve											
SIZE (DN)	WEIGHT (KG)	A (mm)	B (mm)	C (mm)	ØD (mm)	N-M (mm)	ØDD (mm)	L1	L2	a°	Kv*
50	5.0	138	65	43	125	4-M16	150	173.5	249	45°	91
65	7.0	153	83	46	145	8-M16	150	173.5	264	22.5°	141
80	6.6	155	88	46	160	8-M16	150	173.5	266	22.5°	247
100	10.5	178	105.5	52	190	8-M20	150	173.5	289	22.5°	586
125	14.0	193	123	56	220	8-M24	150	173.5	304	22.5°	861
150	15.6	210	135	56	250	8-M24	150	173.5	321	22.5°	1839
200	28.6	240	172	60	310	12-M24	300	237	436	15°	2688
250	40.9	285.4	202	68	370	12-M27	300	237	481.5	15°	4576
300	58.2	315	234.5	78	430	16-M27	300	229.5	524	11.25°	7070
350	107	350	300	78	490	16-M30	300	254	610	11.25°	9404
400	153	385	330	102	550	16-M33	300	254	645	11.25°	11840
450	215	410	360	114	600	20-M33	400	301	738	9°	15217
500	279	435	400	127	660	20-M33	400	355	792	9°	18928
600	399	505	455	154	770	20-M36	400	355	862	9°	27545

*Kv data denotes valves at fully open position

PRESSURE/TEMPERATURE RATING: 25 Bar From -10°C To 120°C

MEDIUM: Group 2 Liquids only as defined by the Pressure Equipment Directive 2014/68/EU*

FLANGES: Fully Lugged to BS EN1092-2

FACE TO FACE: BS EN 558

DESIGN STANDARD: BS EN 593: 2009

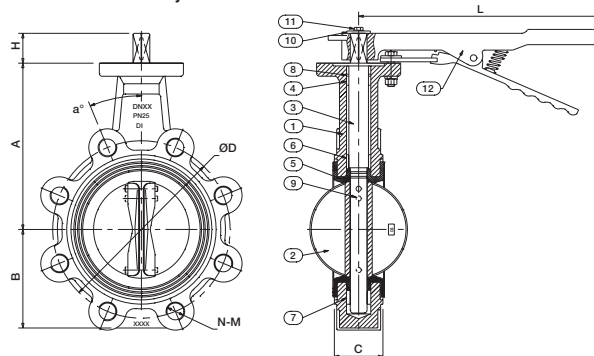
TEST AND INSPECTION STANDARD: BS EN 12266-1

MOUNTING FLANGE: ISO 5211-2001

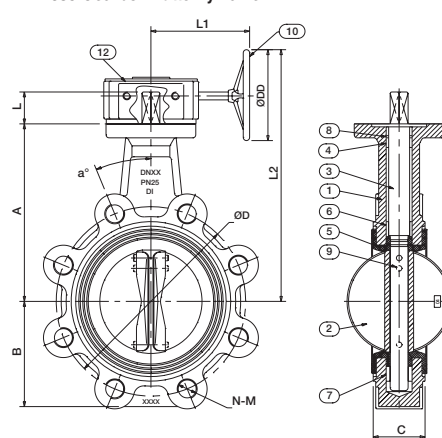
* See page 155 for more information

Dimensional Drawing

FM638 Lever Butterfly Valve



FM639 Gearbox Butterfly Valve



FM638 Lever Butterfly Valve										
SIZE (DN)	WEIGHT (KG)	A (mm)	B (mm)	C (mm)	ØD (mm)	N-M (mm)	H (mm)	L (mm)	a°	Kv*
50	5.0	138	65	43	125	4-M16	32	216	45°	91
65	6.6	153	83	46	145	8-M16	32	216	22.5°	141
80	6.6	155	88	46	160	8-M16	32	216	22.5°	247
100	10.3	178	105.5	52	190	8-M20	32	265	22.5°	586
125	14.0	193	123	56	220	8-M24	32	265	22.5°	861
150	15.5	210	135	56	250	8-M24	32	265	22.5°	1839

Valid as of 270220

Every effort has been made to ensure that the information contained in this publication is accurate at the time of publishing. Crane Ltd assumes no responsibility or liability for typographical errors or omissions or for any misinterpretation of the information within the publication and reserves the right to change without notice.