

D1625

Pressure Reducing Valve
Direct Acting - Piston Design



PN25

Form and Function

Piston Actuated Pressure Reducing Valve (PRV)

PRVs enable control of outlet pressure from boosted water supplies to meet site requirements, as a result, protecting the downstream system and stabilising water pressure. Particularly suitable for higher temperature applications and higher flow applications.

Features & Benefits

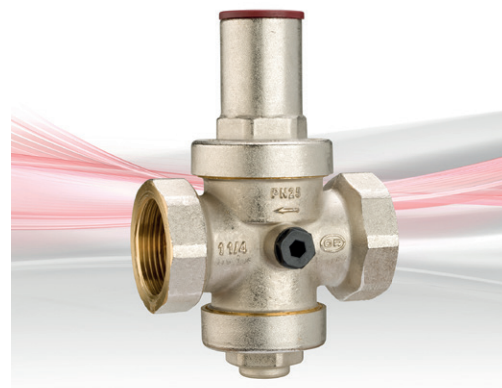
- Comprehensive size range available from 1/2" to 4"
- Kitemarked to BS EN 1567 (sizes 1/2 - 1")
- PN25 rated with outlet pressure of 1 to 5.5 bar (3 bar factory setting)
- Brass material suitable for hot and cold water systems
- 1/4" outlet pressure gauge connection both sides for flexibility and accurate setting
- ACS Approved for use with potable water

Materials

PART	MATERIAL	SPECIFICATION
Body 1/2" - 2"	Brass	EN 12165 - CW617N nickel-plated
Body 2 1/2" - 4"	Brass	EN 1982 CC770S nickel-plated
Bonnet (upper cap)	Brass	EN 12165 - CW617N nickel-plated
Pressure setting screw	Brass	EN 12164 - CW614N
Spring	Spring steel	EN 10270-1 SH
Seat	Stainless steel	BS EN 10088-3 GR. 1.4305
O-rings	Rubber	EPDM Perox
Plug 1/2" - 2 1/2"	PP	-
Plug 3" - 4"	Brass	EN 12164 - CW614N nickel-plated
Bottom cap	Brass	EN 12165 - CW617N nickel-plated
Seat valve	Brass	EN 12164 - CW614N
Seat gaskets	Rubber	EPDM Perox
Piston 1/2" - 1 1/2" light	Brass and nylon	EN 12164 - CW614N + PA66 GF50
Piston 2" - 2 1/2" light	Stainless steel and nylon	BS EN 10088-3 GR. 1.4305 + PA66 GF50
Piston 3" - 4"	Brass and stainless steel	EN 12165 - CW617N + BS EN 10088-3 GR. 1.4401
Pressure gauge ports plugs	Nylon	PA6 GF15

Dimensions & Weights

SIZE (inch)	L (mm)	L1 (mm)	H1 (mm)	H2 (mm)	Thread R (inch)	Weight (kg)	Kv m ³ /h
1/2	69	63	42	72	1/2	0.54	1.8
3/4	82	63	42	72	3/4	0.61	2.1
1	96	73	52.5	93	1	1.03	3.20
1 1/4	100	73	56.5	95	1 1/4	1.26	3.40
1 1/2	121	84	67.5	150.5	1 1/2	2.34	6.4
2	121	84	67.5	150.5	2	2.49	6.50
2 1/2	131	94	75.5	154.5	2 1/2	2.81	10.8
3	197	127	91.5	121	3	7.4	27.1
4	197	127	91.5	121	4	8.06	29.1

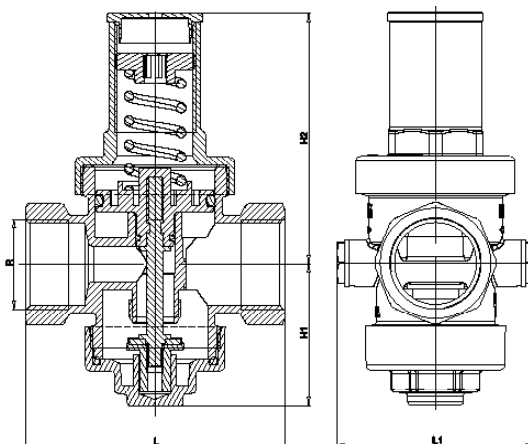


Pressure Gauge

Pressure gauge used to measure outlet pressure; available as 1/4" male threaded back connection



Dimensional Drawing



PRESSURE RATING: PN25

MEDIUM: Water Only

CONNECTIONS: Female threads to ISO 228/1

OUTLET PRESSURE RANGE: 1-5.5 bar

PRE SET OUTLET PRESSURE: 3 bar

TEMPERATURE OPERATING RANGE: 0°C to 130°C

DESIGN STANDARD:

1/2" to 1" Compliant to BS EN 1567

1 1/4" to 4" Generally compliant to BS EN 1567

APPROVALS: ACS • PED 2014/68/EU

SPECIFICATION TEXT

The Pressure Reducing Valve (PRV) shall be piston actuated and ACS compliant. Outlet pressure should be externally adjustable from 1 to 5.5 bar, with capacity to accommodate a pressure gauge for easy reading. The body, bonnet and cap shall be manufactured from nickel plated brass, with Stainless steel seat and EPDM seat gaskets.

The PRV shall be PN25 Rated, and suitable for temperatures between 0 and 130°C as per Crane FS Fig. D1625

Every effort has been made to ensure that the information contained in this publication is accurate at the time of publishing. Crane Ltd assumes no responsibility or liability for typographical errors or omissions or for any misinterpretation of the information within the publication and reserves the right to change without notice.

Valid as of 07/09/20