

DM638 & DM639

Butterfly Double Regulating Valves

DM638-9

PN25

Features & Benefits

- Robust, ductile Iron valve bodies for long service life
- Stainless Steel discs as standard
- Suitable for wide temperature range -10°C to 120°C
- Fully lugged for secure installation
- Rated to PN25
- Lever and Gearbox operator options
- A **Double Regulating** Valve allows for a stop position to be set and fixed. The valve can then be closed and re-open to the same stop position to maintain commissioned flow rates.

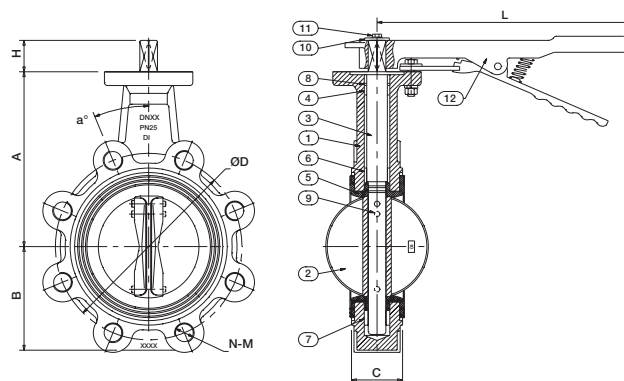


Materials

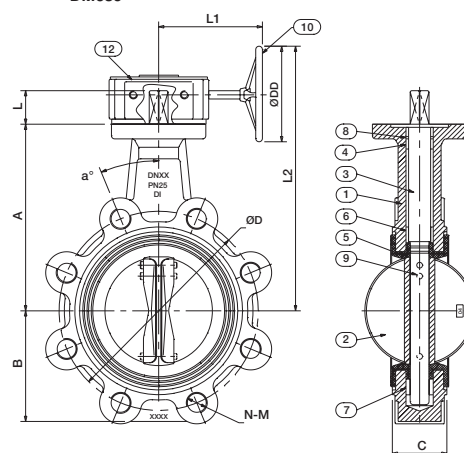
NO.	PART	MATERIAL	SPECIFICATION
1	Body	DI (EN-GJS-400-15)	ASTM A536 65-45-12
2	Disc	Stainless Steel 304	ASTM A351 CF8
3	Shaft	Stainless Steel 431	ASTM A276 431
4	Short Bushing	Aluminum Bronze	ASTM B148-952A
5	Seat	EPDM	-
6	Long Bushing	Aluminum Bronze	ASTM B148-952A
7	Long Bushing	Aluminum Bronze	ASTM B148-952A
8	'O' Ring	NBR	-
9	Pin	Stainless Steel 431	ASTM A276 431
10	Top Cap (DM638)	Carbon Steel	ASTM A194 Gr. 2H
10	Hand Wheel (DM639)	-	-
11	Bolt	Carbon Steel	ASTM A194 Gr. 2H
12	Lever (DM638)	Malleable Iron	ASTM Gr. 32510
12	Gear Box (DM639)	Cast Iron	EN-GJL-250

Dimensional Drawing

DM638



DM639



Dimensions & Weights

DM638 Lever Butterfly Valve										
SIZE (DN)	WEIGHT (KG)	A (mm)	B (mm)	C (mm)	ØD (mm)	N-M (mm)	H (mm)	L (mm)	a°	Kv*
50	5.0	138	65	43	125	4-M16	32	216	45°	91
65	6.6	153	83	46	145	8-M16	32	216	22.5°	141
80	6.6	155	88	46	160	8-M16	32	216	22.5°	247
100	10.3	178	105.5	52	190	8-M20	32	265	22.5°	586
125	14.0	193	123	56	220	8-M24	32	265	22.5°	861
150	15.5	210	135	56	250	8-M24	32	265	22.5°	1839

DM639 Geared Butterfly Valve											
SIZE (DN)	WEIGHT (KG)	A (mm)	B (mm)	C (mm)	ØD (mm)	N-M (mm)	ØDD (mm)	L1	L2	a°	Kv*
50	5.0	138	65	43	125	4-M16	150	173.5	249	45°	40
65	7.0	153	83	46	145	8-M16	150	173.5	264	22.5°	110
80	6.6	155	88	46	160	8-M16	150	173.5	266	22.5°	253
100	10.5	178	105.5	52	190	8-M20	150	173.5	289	22.5°	440
125	14.0	193	123	56	220	8-M24	150	173.5	304	22.5°	586
150	15.6	210	135	56	250	8-M24	150	173.5	321	22.5°	1213
200	28.6	240	172	60	310	12-M24	300	237	436	15°	2625
250	40.9	285.4	202	68	370	12-M27	300	237	481.5	15°	5294
300	58.2	315	234.5	78	430	16-M27	300	229.5	524	11.25°	9209

*Kv data denotes valves at fully open position

PRESSURE/TEMPERATURE RATING: 25 Bar From -10°C To 120°C

MEDIUM: Group 2 Liquids

FLANGES: Fully Lugged to BS EN1092-2

FACE TO FACE: BS EN 558

DESIGN STANDARD: BS EN 593: 2009

TEST AND INSPECTION STANDARD: BS EN 12266-1

MOUNTING FLANGE: ISO 5211-2001

Valid as of 08/12/20

Every effort has been made to ensure that the information contained in this publication is accurate at the time of publishing. Crane Ltd assumes no responsibility or liability for typographical errors or omissions or for any misinterpretation of the information within the publication and reserves the right to change without notice.