

F614 / F628

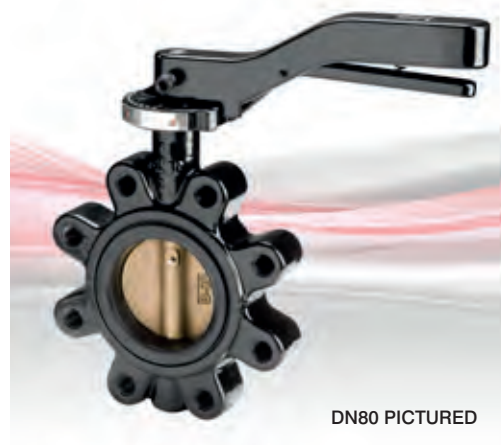
Fully-Lugged Lever Operated Butterfly Valves

F614

PN16

Features & Benefits

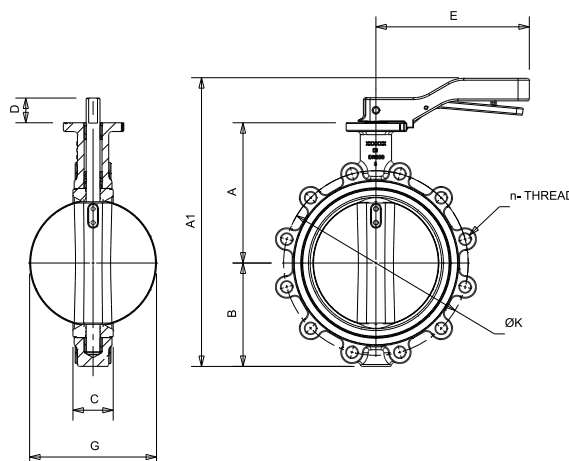
- Robust, ductile iron valve body for long life service
- Valve body fully lugged to fit PN16 or ANSI Class 125 flanges
- The anti-blow out stem design provides a safe and secure operation
- Integrated notch plate for a more compact design and aluminium lever to reduce risk of corrosion
- Fully bonded epoxy paint system for superior corrosion resistance
- Suitable for applications where Level 3 C3 (Medium) corrosion protection is required
- Maintenance free valve design, reducing downtime
- Suitable for a wide temperature range -10°C to 130°C



Materials

PART	MATERIAL
Body	Ductile Iron ASTM A536 64-45-12 (Epoxy Paint)
Disc	Aluminium Bronze C954 ASTM B148
Liner (F614)	Nitrile Temp. -10 to 90°C
Liner (F628)	EPDM (High Temperature) Temp. -10 to 130°C
Shaft	Stainless Steel Type 410
Taper Pin	Stainless Steel Type 410
O-Ring	Buna-N
Bushing	PTFE
Lever	Aluminium Alloy (Epoxy Paint)
Stop Plate	Carbon Steel (Zn Plated)

Dimensional Drawing



Dimensions & Weights

SIZE (mm)	WEIGHT (kg)	A (mm)	A1 (mm)	B (mm)	C (mm)	D (mm)	E (mm)	G (mm)	K (mm)	Kv	N- THREAD
50	3.6	109	246	72	43	32	212.5	52.9	125	98	4- M16x2.0
65	4.1	131.5	278.5	82	46	32	212.5	64.6	145	167	4- M16x2.0
80	5.0	134	294	90	46	32	212.5	79	160	258	8- M16x2.0
100	6.5	163	343	108	52	32	212.5	104.4	180	512	8- M16x2.0
125	9.3	169	359	125	56	32	212.5	123.5	210	872	8- M16x2.0
150	11.5	179	392	142	56	40	245	155.8	240	1,347	8-M20x2.5
200	16.8	224	465	165	60	40	378	202.7	295	2,675	12- M20x2.5

Pressure/Temperature Ratings

	F614	F628
MAX TEMPERATURE (°C)	-10 to 90	-10 to 130
PRESSURE (BAR)	16	15.7

Intermediate pressure ratings shall be determined by interpolation.

*Kv coefficient denotes valves in fully open position

PRESSURE RATING: PN16

TEST PRESSURES:

Shell: 24 Bar Seat: 17.6 Bar

SPECIFICATION: Lever operated epoxy coated Ductile Iron Body.

Fully lugged. Aluminium Bronze disc. EPDM or Nitrile liner. To suit flange connections BS EN 1092-2 PN16. Valves may be used for flow regulation. Valve design conforms to BS EN 593. Face to face conforms to BS EN 558.

MEDIUM:

F614 - Suitable for Group 1 and 2 gases and Group 1 and 2 liquids as defined by the Pressure Equipment Directive 2014/68/EU.*

F628 - Suitable for Group 2 liquids as defined by the Pressure Equipment Directive 2014/68/EU.*

Valid as of 081220

Every effort has been made to ensure that the information contained in this publication is accurate at the time of publishing. Crane Ltd assumes no responsibility or liability for typographical errors or omissions or for any misinterpretation of the information within the publication and reserves the right to change without notice.