

FA725G

FA725

Large Diameter Butterfly Valve

ANSI 150

Features & Benefits

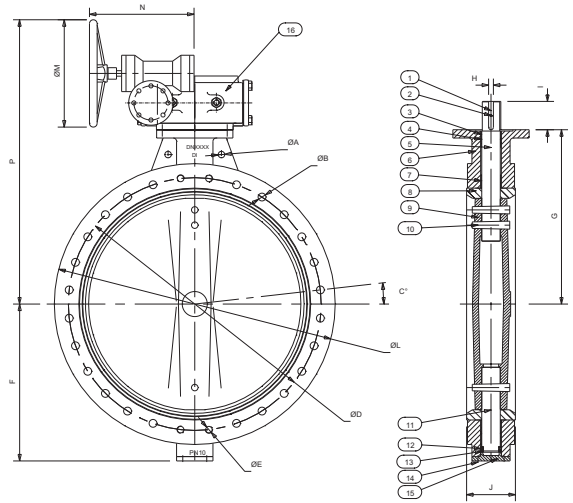
- Suitable for Gearbox or Actuator operation
- Rugged construction: ductile Iron Body for all sizes
- Stainless Steel disc as standard
- Epoxy paint coated as standard
- Low operating torques
- Double regulating feature on gearboxes
- ANSI flange and hole pattern



Materials

NO.	PART	MATERIAL	SPECIFICATION
1	Key	Carbon Steel	ASTM A29 1045
2	Screw	Carbon Steel	ASTM A194 Gr.2H
3	Short Bushing	-	PTFE
4	O' Ring	-	NBR
5	Upper Shaft	Stainless Steel	ASTM A276 420
6	Body	Ductile Iron	EN-GJS-400-15
7	Long Bushing	-	PTFE
8	Seat + Backing Ring	-	EPDM + Aluminium
9	Disc	Stainless Steel	ASTM A351 CF8M
10	Pin	Stainless Steel	ASTM A276 431
11	Lower Shaft	Stainless Steel	ASTM A276 420
12	Bearing	High Carbon Steel	ASTM A295 52100
13	Lower adjusting shim	Carbon Steel	ASTM A36
14	Screw	Carbon Steel	ASTM A194 Gr. 2H
15	Lower Gland	Carbon Steel	EN-GJS-400-15
16	Gearbox	Cast Iron	-

Dimensional Drawing



Dimensions & Weights

SIZE (inch)	A (mm)	B (mm)	C (mm)	D (mm)	E (mm)	F (mm)	G (mm)	H (mm)	I (mm)	J (mm)	K (mm)	L (mm)	M (mm)	N (mm)	P (mm)	FLANGE THICKNESS	WEIGHT (kg)		FLOW (kv)
																	Gearbox	Bareshaft	
26"	N/A	20-Ø35	7.5	806.5	4-1.25-7	510	565	14	110	165	N/A	870	400	301	868	39.5	490	410	37300
28"	N/A	24-Ø35	6.43	863.6	4-1.25-7	537	629	18	110	165	4-Ø40	927	400	301	957	39.5	548	468	42818
30"	N/A	24-Ø35	6.43	914.4	4-1.25-7	565	660	20	110	165	4-Ø40	984	400	355	1017	43	647	550	63513
32"	N/A	24-Ø41	6.43	977.9	4-1.5-6	596	666	20	110	190	4-Ø40	1060	400	355	1023	43	725	628	33086
34"	N/A	28-Ø41	5.625	1028.7	4-1.5-6	633	720	20	110	200	4-Ø40	1111	400	355	1077	45	852	755	52300
36"	N/A	28-Ø41	5.625	1085.9	4-1.5-6	656	720	20	110	203	4-Ø42	1168	400	355	1077	46.5	972	875	75688

Kv Values

SIZE (inch)	DISC POSITION (°)								
	10	20	30	40	50	60	70	80	90
26"	20	1050	220	4850	8600	14300	22600	33900	37300
28"	31	1568	3148	5740	8650	12931	19695	30187	42818
30"	32	1799	3811	8257	14714	24347	38531	57798	63513
32"	39	2065	4144	7557	11927	17830	27157	41621	33086
34"	150	2300	5000	9200	14500	22800	36100	55000	52300
36"	225	2638	5821	11020	17490	28113	45413	68854	75688

PRESSURE RATING: 26" - 36" ANSI CLASS 150

TEMPERATURE RATING: -20°C to 120°C

FACE TO FACE DIMENSIONS: BS EN 558: 2011 Series 20

END CONNECTIONS: ASME B16.47A

ACTUATOR MOUNTING FLANGES: ISO 5211: 2001

OPERATORS: Gearbox

MEDIUM: Manufactured to BS EN 593: 2009. Complies with Pressure Equipment Directive 2014/68/EU.

Valid as of 08/12/20

Every effort has been made to ensure that the information contained in this publication is accurate at the time of publishing. Crane Ltd assumes no responsibility or liability for typographical errors or omissions or for any misinterpretation of the information within the publication and reserves the right to change without notice.