

FM700 / FM701 & FM700B

FM700

DN700 - DN1200
DN1400 - DN1800

PN16
PN10



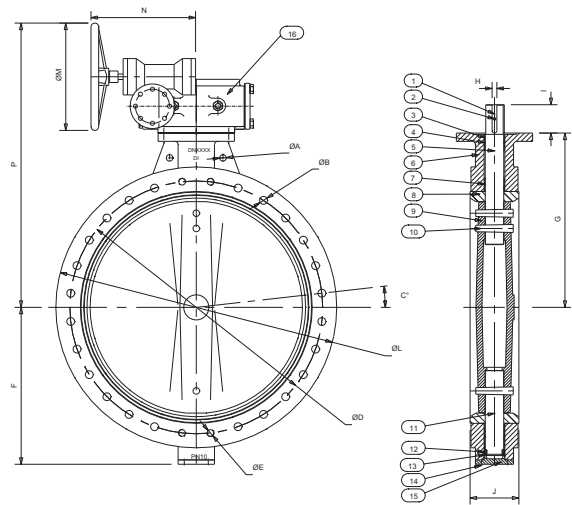
Features & Benefits

- Suitable for Gearbox or Actuator operation
- Rugged construction: Ductile Iron Body for all sizes
- Stainless Steel disc as standard
- Epoxy paint coated as standard
- Low operating torques
- Metric flange and hole pattern

Materials

NO.	PART	MATERIAL	SPECIFICATION
1	Key	Carbon Steel	ASTM A29 1045
2	Screw	Carbon Steel	ASTM A194 Gr.2H
3	Short Bushing	-	PTFE
4	O' Ring	-	NBR
5	Upper Shaft	Stainless Steel	ASTM A276 420
6	Body	Ductile Iron	EN-GJS-500-7U
7	Long Bushing	-	PTFE
8	Seat + Backing Ring	-	EPDM + Aluminium
9	Disc: FM700/FM700B	Stainless Steel 316	ASTM A351 CF8M
	Disc: FM701	Stainless Steel 304	ASTM A351 CF8
10	Pin	Stainless Steel	ASTM A276 431
11	Lower Shaft	Stainless Steel	ASTM A276 420
12	Split Retaining Ring	Carbon Steel	ASTM A29-1045
13	Bearing	High Carbon Steel	ASTM A295 52100
14	Screw	Carbon Steel	ASTM A194 Gr. 2H
15	Lower Gland	Carbon Steel	EN-GJS-500-7U
16	Gearbox	Ductile Iron	EN-GJS-400-15

Dimensional Drawing



Dimensions & Weights

SIZE (DN)	A (mm)	B (mm)	C (mm)	D (mm)	E (mm)	F (mm)	G (mm)	H (mm)	I (mm)	J (mm)	K (mm)	L (mm)	M (mm)	N (mm)	P (mm)	FLANGE THICKNESS	WEIGHT (kg)		FLOW (kv)
																	Gearbox	Bareshaft	
DN700	N/A	20-Ø37	7.5	840	4-M33	537	629	18	110	165	4-Ø40	910	398	397	883	39.5	350	310	42818
DN800	N/A	20-Ø41	7.5	950	4-M36	596	666	20	110	190	4-Ø40	1025	500	417	971	43	450	410	33086
DN900	N/A	24-Ø41	6.43	1050	4-M36	656	720	20	110	203	4-Ø42	1125	500	450	1032	46.5	605	550	75688
DN1000	2-Ø40	24-Ø44	6.43	1170	4-M39	720	800	22	130	216	4-Ø45	1255	500	470	1109	50	810	740	103584
DN1200	2-Ø46	28-Ø50	5.625	1390	4-M45	864	942	28	130	254	N/A	1485	600	491	1327	57	1270	1130	133210
DN1400	2-Ø48	32-Ø44	5	1590	4-M39	1014	1000	40	180	279	N/A	1675	600	491	1385	46	1645	1510	152700
DN1600	2-Ø50	36-Ø50	4.5	1820	4-M45	1071	1155	40	180	318	N/A	1915	500	571	1685	49	3540	3200	175700
DN1800	2-Ø50	40-Ø50	4.09	2020	4-M45	1178	1300	45	200	356	N/A	2115	500	665	1853	52	5900	5310	211060

PRESSURE RATING: DN700 - DN1200 PN16, DN1400 - DN1800 PN10
TEMPERATURE RATING: -20°C to 120°C
FACE TO FACE DIMENSIONS: BS EN 558: 2011 Series 20
END CONNECTIONS: Flanges to BS EN 1092 PN10 and PN16
ACTUATOR MOUNTING FLANGES: ISO 5211: 2001

OPERATORS: Gearbox - FM700 - (Disc SS 316) / FM701 (Disc SS 304)
BARESHAF VALVE OPTIONS: FM700B
MEDIUM: Manufactured to BS EN 593: 2009. Complies with Pressure Equipment Directive 2014/68/EU.

Valid as of 08/12/20

Every effort has been made to ensure that the information contained in this publication is accurate at the time of publishing. Crane Ltd assumes no responsibility or liability for typographical errors or omissions or for any misinterpretation of the information within the publication and reserves the right to change without notice.