

D171AC

Compression DZR Ball Valve



D171AC

D171ACEXS

Compression DZR Ball Valve with Extension Stem

PN16

Features & Benefits

- Designed to be light, compact and easy to install and operate
- WRAS Approved to 99°C TBC

Materials

PART	MATERIAL	QUANTITY
Hex-Nut	Steel Plated	1
Lever	Steel Dacromet Plated	1
Handle Sleeve	Maroon PVC	1
Packing Nut	Brass CW617N	1
Packing Gland	PTFE WRAS approved	1
Body	DZR Brass CW602N	1
Seats	PTFE WRAS approved	2
Ball	DZR Brass CW602N Chrome Plated	1
Bonnet	DZR Brass CW602N	1
Compression Olive	Brass BS EN 12449 CW505L/CW507L	2
Compression Nut	DZR Brass BS EN 12165 CW617N	2
Stem	DZR Brass CW602N	1
Extension Stem Outer	Aluminium	1
Extension Stem Inner	Steel Plated	1

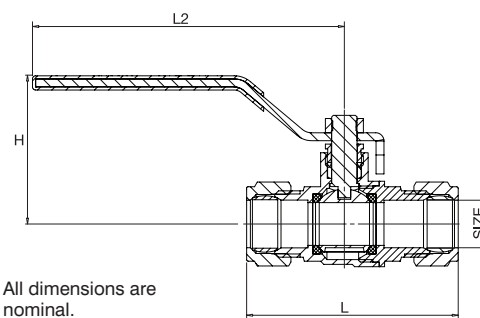


D171ACEXS



GENERAL VALVES

Dimensional Drawing



Dimensions & Weights

SIZE (mm)	WEIGHT (kg) AC	WEIGHT (kg) ACEXS	L (mm) AC	L2 (mm) AC	H (mm) AC	H (mm) ACEXS
15	0.212	0.275	66.5	98.5	47	103
22	0.368	0.429	80	98.5	51	107
28	0.608	0.682	92.5	125	62	116
35	0.928	1.125	104.5	140	77.5	129
42	1.345	1.667	122	140	83	135
54	2.108	2.683	141	165	97.5	150

Pressure/Temperature Ratings

Threaded

TEMPERATURE (°C)	-10 to 30	65	120
PRESSURE (BAR)	16	10	5

Intermediate pressure ratings shall be determined by interpolation.

PRESSURE RATING: PN16**TEMPERATURE OPERATING RANGE:** -10 to 120°C**UK END CONNECTION:** Compression ends to suit BS EN 1057: Half hard R250 copper tube**OPERATOR:** Lever**SPECIFICATION:** Quarter Turn

Valid as of 081220

Every effort has been made to ensure that the information contained in this publication is accurate at the time of publishing. Crane Ltd assumes no responsibility or liability for typographical errors or omissions or for any misinterpretation of the information within the publication and reserves the right to change without notice.