

D171ACTH

Compression DZR Ball Valve with T-Handle



D171ACLS

Compression DZR Ball Valve with Lockshield

PN16

Features & Benefits

- Designed to be light, compact and easy to install and operate
- WRAS Approved to 99°C

Materials

PART	MATERIAL	QUANTITY
Hex-Nut	Steel Plated	1
T-Handle	Aluminium AL-46100	1
Packing Nut	Brass CW617N	1
Packing Gland	PTFE WRAS approved	1
Body	DZR Brass CW602N	1
Seats	PTFE WRAS approved	2
Ball	DZR Brass CW602N Chrome Plated	1
Bonnet	DZR Brass CW602N	1
Compression Olive	Brass BS EN 12449 CW505L/CW507L	2
Compression Nut	DZR Brass BS EN 12165 CW617N	2
Stem	DZR Brass CW602N	1
Lockshield	Brass CW617N	1
Lockshield Cover	Polypropylene	1

Dimensions & Weights

SIZE (mm)	WEIGHT (kg) ACTH	WEIGHT (kg) ACLS	L (mm)	L2 (mm) ACTH	H (mm) ACTH	H (mm) ACLS
15	0.187	0.220	66.5	50	40	42
22	0.343	0.376	80	50	43	47
28	0.567	0.614	92.5	55	54	59.5
35	0.977	0.984	104.5	82	61	67
42	1.487	1.522	122	82	67	73.5
54	2.364	2.467	141	110	80.5	87.5

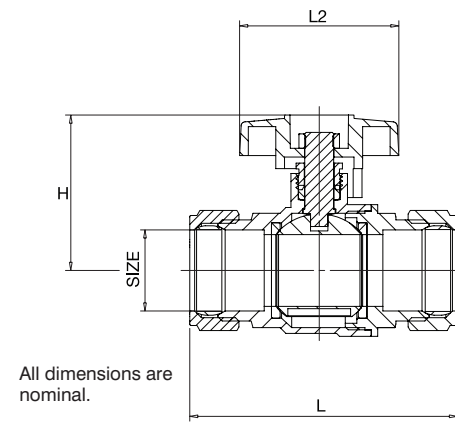


D171ACTH



D171ACLS

Dimensional Drawing



Pressure/Temperature Ratings

Threaded

TEMPERATURE (°C)	-10 to 30	65	120
PRESSURE (BAR)	16	10	5

Intermediate pressure ratings shall be determined by interpolation.

PRESSURE RATING: PN16

TEMPERATURE OPERATING RANGE: -10 to 120°C

UK END CONNECTION: Compression ends to suit BS EN 1057: Half hard R250 copper tube

OPERATOR: T-Handle / Spanner or Socket

SPECIFICATION: Quarter Turn

Valid as of 08/12/20

Every effort has been made to ensure that the information contained in this publication is accurate at the time of publishing. Crane Ltd assumes no responsibility or liability for typographical errors or omissions or for any misinterpretation of the information within the publication and reserves the right to change without notice.