

# D171ATH

Threaded DZR Ball Valve with T-Handle



D171ATH



# D171ALS

Threaded DZR Ball Valve with Lockshield

PN25

D171ALS



## Features & Benefits

- Designed to be light, compact and easy to install and operate
- Crane's next generation DZR ball valve is WRAS Approved to 85°C
- Features improved leak resistance and reduced risk of damage from over tightening

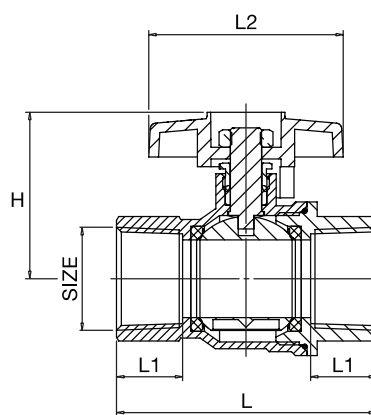
## Materials

PART	MATERIAL	QUANTITY
Hex-Nut	Steel Plated	1
T-Handle	Aluminium AL-46100	1
Packing Nut	Brass CW617N	1
Packing Gland	PTFE WRAS approved	1
Body	DZR Brass CW602N	1
Seats	PTFE WRAS approved	2
Ball	DZR Brass CW602N Chrome Plated	1
O-Ring	Rubber EPDM WRAS approved	1
Bonnet	DZR Brass CW602N	1
Stem	DZR Brass CW602N	1
Lockshield	Brass CW617N	1
Lockshield Cover	Polypropylene	1

## Dimensions & Weights

SIZE (inch)	WEIGHT (kg) ATH	WEIGHT (kg) ALS	L (mm)	L1 (mm)	L2 (mm) ATH	H (mm) ATH	H (mm) ALS
1/2	0.183	0.207	59	15.5	50	40	42
3/4	0.277	0.302	67	17	50	43	45
1	0.470	0.506	80.5	21	55	54	58
1 1/4	0.809	0.867	94	23	82	61	67
1 1/2	1.210	1.269	102	23	82	67	73.5
2	2.106	2.166	124	26.5	110	80.5	86.5

## Dimensional Drawing



## Pressure/Temperature Ratings

### Threaded

TEMPERATURE (°C)	-10 to 100	120
PRESSURE (BAR)	25	21.8

Intermediate pressure ratings shall be determined by interpolation.

**PRESSURE RATING:** PN25

**TEMPERATURE OPERATING RANGE:** -10 to 120°C

**UK END CONNECTION:** Taper threaded to BS EN 10226-2 (ISO 7-1) formerly BS 21

**US END CONNECTION:** ANSI B1.20.1:1983 (please add suffix AT to denote American Thread)

**OPERATOR:** T-Handle / Spanner or Socket

**SPECIFICATION:** Quarter Turn

Valid as of 081220

Every effort has been made to ensure that the information contained in this publication is accurate at the time of publishing. Crane Ltd assumes no responsibility or liability for typographical errors or omissions or for any misinterpretation of the information within the publication and reserves the right to change without notice.