

# D171C

Compression Ended Bronze Ball Valve



D171C

# D171CEXS

Compression Ended Bronze Ball Valve with Extension Stem

PN16

## Features & Benefits

- Designed to be light, compact and easy to install and operate
- WRAS approved for use on hot and cold water systems up to 85°C
- Features improved leak resistance and reduced risk of damage from over tightening
- **What is the benefit of compression?**

Spanner flats on each end to assist with tightening of compression joint without stressing the valve body, resulting in premature failure



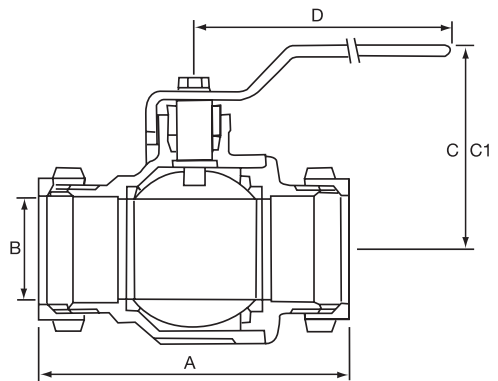
## Materials

PART	MATERIAL	SIZES
Body	Bronze BS EN 1982 CC491K	All
Seat Retainer	Bronze BS EN 1982 CC491K	All
Ball	DZR Brass BS EN 12165 CW602N (Chrome plated)	All
Seat Ring	PTFE	All
Stem	DZR Brass BS EN 12164 CW602N	All
Packing	PTFE	All
Gland Nut	Brass BS EN 12164 CW617N	All
Lever	Mild Steel (Zinc Plated)	D171C
Screw	Mild Steel (Zinc Plated)	D171C
Lever Cover	PVC	D171C
Compression Olive	Brass BS EN 12449 CW505L/CW507L	All
Compression Nut	DZR Brass BS EN 12165 CW617N	All
Extension Housing	Aluminium	D171CEXS
Extension Stem	DZR Brass BS EN 12164 CW602N	D171CEXS

## Dimensions & Weights

SIZE (mm)	WEIGHT (kg)	A (mm)	B (mm)	C (mm)	C1 (mm) D171CEXS	D (mm)
15	0.27	80	15	40	97	92
22	0.51	84	20	58	98	92
28	0.78	95	25	65	118	127
35	1.19	111	32	70	124	127
42	1.82	124	40	83	142	142
54	3.28	149	50	91	149	142

## Dimensional Drawing



All dimensions are nominal.

## Pressure/Temperature Ratings

### Compression

TEMPERATURE (°C)	-10 to 30	65	120
PRESSURE (BAR)	16	10	5

Intermediate pressure ratings shall be determined by interpolation.

**PRESSURE RATING:** PN16

**TEMPERATURE OPERATING RANGE:** -10 to 120°C

**UK END CONNECTION:** Compression end to suit BS EN 1057: Half Hard R250 copper tube

**OPERATOR:** Lever

**SPECIFICATION:** Quarter Turn, Tight Shut-off.

This valve is intended for Group 2 liquids as defined by the Pressure Equipment Directive 2014/68/EU.\*

\* See page 155 for more information