

## D171MHU

Bronze Draw-Off Valve



D171MHU

## D171MHULS

Bronze Draw-Off Ball Valve with Lockshield

PN25

### Features & Benefits

- Designed to be light, compact and easy to install and operate
- WRAS approved for use on hot and cold water systems up to 85°C
- Features improved leak resistance and reduced risk of damage from over tightening
- Allows for a flexible hose to be easily connected to facilitate draining of the system into remotely located receptacle or drain with minimal spillage

### Materials

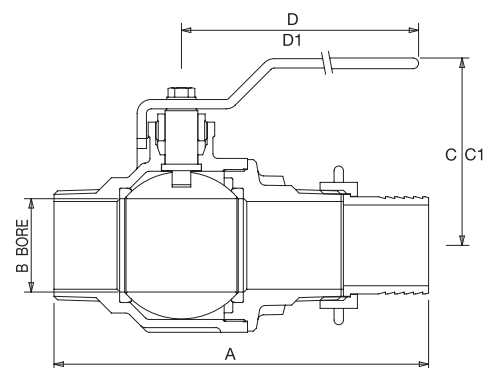
PART	MATERIAL	SIZES
Body	Bronze BS EN 1982 CC491K	All
Seat Retainer	Bronze BS EN 1982 CC491K	All
Ball	DZR Brass BS EN 12165 CW602N-Chrome Plated	All
Seat	PTFE	All
Stem	DZR Brass BS EN 12164 CW602N	All
Packing	PTFE	All
Gland Nut	Brass BS EN 12164 CW617N	All
Lever	Mild Steel (Zinc Plated)	D171MHU
Lever Screw	Mild Steel (Zinc Plated)	D171MHU
Lever Cover	PVC	D171MHU
Hose Connector	Brass BS EN 12164 CW617N	All
Hose Union Nut	Brass BS EN 12165 CW617N	All
Washer	PTFE	All
Lockshield Cap	Brass BS EN 12164 CW617N	D171MHULS
Lockshield Cover	Nylon 6	D171MHULS

### Dimensions & Weights

SIZE (inch)	WEIGHT (kg)	A (mm)	B (mm)	C (mm)	C1 (mm)	D (mm)	D1 (mm)
1/2	0.27	104	15	40	47	82	36
3/4	0.55	124	20	58	51	92	36
1	0.88	147	25	65	58	127	39



### Dimensional Drawing



### Pressure/Temperature Ratings

TEMPERATURE (°C)	-10 to 100	110	120	186
PRESSURE (BAR)	25.0	23.4	21.8	10.5

Intermediate pressure ratings shall be determined by interpolation.

**PRESSURE RATING:** PN25

**TEMPERATURE OPERATING RANGE:** -10 to 186°C

**UK END CONNECTION:** Taper threaded to BS EN 10226-2 (ISO 7-1) formerly BS 21

**OPERATOR:** Lever / Allen Key

**SPECIFICATION:** Quarter Turn, Tight Shut-off. Male x hose union outlet.

This valve is not suitable for use on Group 1 gases and unstable fluids as defined by the Pressure Equipment Directive 2014/68/EU.\*

\* See page 155 for more information