

# D181C

Service Ball Valve



PN16

D181C



GENERAL VALVES

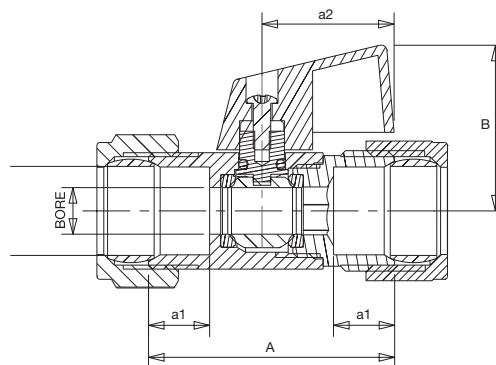
## Features & Benefits

- Light, compact and easy to install and operate
- WRAS approved for use on wholesome (potable) water
- Compression ends to BS EN 1254-2 for use with BS EN 1057 R250
- Compact handle for operation in confined spaces
- Chrome plated finish for enhanced aesthetics
- Handle can be removed to allow for screwdriver operation

## Materials

PART	MATERIAL	SPECIFICATION
Screw	Steel	Dacromet Plated
Handle	Nylon (Ral 9017)	
Stem	DZR Brass	Chromium Plated
O-Ring	EPDM	WRAS approved
Nut	DZR Brass	CW602N Chromium Plated
Olive	Brass	CW507L
Body	DZR Brass	CW602N Chromium Plated
PTFE Seat	PTFE	WRAS approved
Ball	DZR Brass	CW602N Chromium Plated
Seat Retainer	DZR Brass	CW602N Chromium Plated

## Dimensional Drawing



## Dimensions & Weights

SIZE (mm)	BORE (mm)	A (mm)	a1 (mm)	a2 (mm)	B (mm)	WEIGHT (kg)
DN15	ø8	42	10.5	23	28.3	0.124
DN22	ø13.5	53	12.5	23	33.1	0.268

## Pressure/Temperature Ratings

TEMPERATURE (°C)	-10 to 30	65	110	120
PRESSURE (BAR)	16	10	6	5

Intermediate pressure ratings shall be determined by interpolation.

**PRESSURE RATING:** PN16

**OPERATOR:** Handle.

The handle can be removed to allow for screwdriver operation.

**SPECIFICATION:** Compression ends to BS EN 1254-2 for use with BS EN 1057 R250 (half-hard) copper tube. WRAS approved product.

Valid as of 08/12/20

Every effort has been made to ensure that the information contained in this publication is accurate at the time of publishing. Crane Ltd assumes no responsibility or liability for typographical errors or omissions or for any misinterpretation of the information within the publication and reserves the right to change without notice.