

D340

Bronze Draining Tap



PN16

D340



GENERAL VALVES

Features & Benefits

- Integrated shroud gives a tamper resistant design
- Bronze draining taps are suitable for use on hot and cold water up to 16bar, at temperatures up to 110°C
- Enables system to be drained without removing pipework
- Prevents build-up of sediment and extends life expectancy of pipework
- The inlet is a threaded taper male connection to BS EN 10226-2
- The outlet is ribbed for hose connection
- WRAS Approved up to 85°C

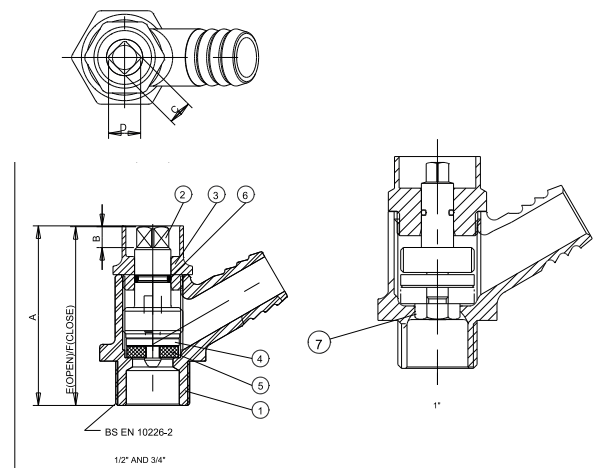
Materials

NO.	NAME	MATERIAL
1	Body	Bronze BS EN 1982 CC491K
2	Stem	Brass BS EN 12164 CW614N
3	Bonnet	Brass BS EN 12164 CW614N
4	Disc Holder	Brass BS EN 12164 CW614N
5	Rubber Seat	EP80 (EPDM-WRAS Approved)
6	Stem Packing	EP70 (EPDM-WRAS Approved)
7	Nut (1" Only)	Brass BS EN 12164 CW614N

Dimensions, Coefficients & Weights

SIZE (inch)	A (mm)	B (mm)	C (mm)	D (mm)	E (mm)	F (mm)	WEIGHT (kg)
1/2	54.2	7.4	7.7	9.8	59	54.2	0.13
3/4	64.4	7.5	8.5	11.5	68.8	61.7	0.26
1	78.7	7.15	9.3	11.5	87.8	79.5	0.59

Dimensional Drawing

**PRESSURE RATING:** PN16**TEMPERATURE OPERATING RANGE:** 0 to 110°C**UK END CONNECTION:** BS EN 10226-2 Taper**OPERATOR:** Lockshield**SPECIFICATION:** Sizes 1/2" and 3/4" draining taps are designed and manufactured in accordance with BS 2879 type 2.

This valve is excluded from the requirements of the Pressure Equipment Directive 2014/68/EU