

D344

Bronze Gland Pattern Draw-off Cock

PN10*

Features & Benefits

- Straight type, gland pattern
- *The D344 is suitable for use on pressure up to 8.6 bar and at temperatures up to 110°C

Materials

NO.	PART	MATERIAL	SIZES
1	Body	Bronze BS EN 1982 CC491K	All
2	Plug	Bronze BS EN 1982 CC491K	All
3	Gland	Bronze BS EN 1982 CC491K	All
4	Hose Unions	Brass	All
5	Lever	Malleable Iron	All

Dimensions & Weights

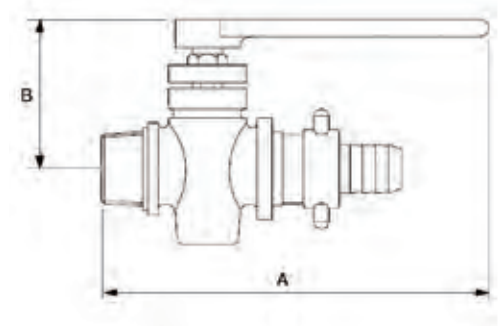
SIZE (inch)	WEIGHT (kg)	A (mm)	B (mm)
1/2*	0.45	114	77
3/4	0.7	136	94
1	1.2	150	114
1 1/4	2.01	170	135
1 1/2	2.61	204	146
2	4.14	240	170



D344

GENERAL VALVES

Dimensional Drawing



PRESSURE RATING: PN10

TEMPERATURE OPERATING RANGE: -10 to 110°C

UK END CONNECTION: Not Specified

OPERATOR: Lever Operated

SPECIFICATION: Sizes 1/2" and 3/4", gland pattern, inlet threaded female BS 21 (ISO 7), outlet threaded male BS 2779 (ISO 228) parallel with hose union.

Fixed key.

Each draw-off cock is hydraulically tested at 20 bar.

This valve is excluded from the requirements

NOTE: All sizes come with a handle except 1/2 inch where a handle is not available.

Every effort has been made to ensure that the information contained in this publication is accurate at the time of publishing. Crane Ltd assumes no responsibility or liability for typographical errors or omissions or for any misinterpretation of the information within the publication and reserves the right to change without notice.

Valid as of 270719