

# 33XU-F

Cast Steel Gate Valve  
Non rising stem

Class 300

33XU-F



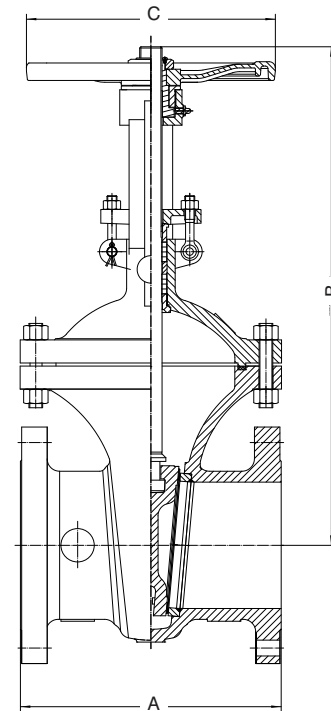
## Features & Benefits

- Efficient stop valves with flow in either direction
- Commonly used where a minimum pressure drop is important
- Flexible wedge disc compensates for deformation of body due to pipe stress
- Outside screw & yoke
- Flanged
- Seat ring is seal welded to eliminate leak paths

## Materials

| PART            | MATERIAL   |
|-----------------|--|
| Body            | A216 WCB   |
| Bonnet          | A216 WCB   |
| Seat Rings      | Hardfaced  |
| Disc            | CA-15 or 13% CR Overlay                          |
| Stem            | ASTM A182 F6a Cl. 2. This is equivalent to SS410 |
| Packing         | Graphite   |
| Bonnet Gasket   | ASTM A276 304 + Graphite                         |
| Back Seat       | 410 SS   |
| Yoke            | ASTM A216 WCB                                    |
| Retaining Nut   | Malleable or Steel                               |
| Disc Washer     | Carbon Steel                                     |
| Gland           | Steel  |
| Gland Flange    | Steel  |
| Eye Bolt        | Steel  |
| Eye Bolt Nuts   | Steel  |
| Pins            | Steel  |
| Bonnet Studs    | A193 Gr. B7                                      |
| Bonnet Nuts     | A194 Gr. 2H                                      |
| Handwheel       | Malleable, Ductile or Steel                      |
| Handwheel Nut   | Ductile or Steel                                 |
| ID Tags         | SS   |
| ID Pins         | Steel  |
| Spacer          | Steel  |
| Grease Fittings | Steel  |

## Dimensional Drawing



## Dimensions & Weights

| SIZE (inch) | WEIGHT (kg) | A (mm) | B VALVE OPEN (mm) | C (mm) |
|-------------|-------------|--------|-------------------|--------|
| 2           | 24.42       | 216    | 408               | 200    |
| 2 1/2       | 32.93       | 241    | 460               | 200    |
| 3           | 46.08       | 282    | 530               | 240    |
| 4           | 72.83       | 305    | 619               | 280    |
| 6           | 141.17      | 403    | 826               | 360    |
| 8           | 216.67      | 419    | 1038              | 400    |
| 10          | 322         | 457    | 1247              | 450    |
| 12          | 480         | 502    | 1436              | 560    |

## Industry Standards

|                         |             |
|-------------------------|-------------|
| STEEL VALVES            | ANSI B16.34 |
| FACE-TO-FACE/END-TO-END | ANSI B16.10 |
| FLANGE DIMENSIONS       | ANSI B16.5  |
| BASIC DESIGN            | API 600     |
| TESTING                 | API 598     |
| ACCEPTANCE              | API RP591   |

Intermediate pressure ratings shall be determined by interpolation.

**SIZE RANGE:** 2 -12 inches    **PRESSURE TEMPERATURE RATING:** Class 300

Carbon Steel  
ASTM A216 Grade WCB  
51.1 Bar / -29 to 38°C  
28.8 Bar / 425°C

Valid as of 081220

Every effort has been made to ensure that the information contained in this publication is accurate at the time of publishing. Crane Ltd assumes no responsibility or liability for typographical errors or omissions or for any misinterpretation of the information within the publication and reserves the right to change without notice.