

# D237A

DZR Gate Valve with Lockshield  
Non rising stem

PN20

D237A



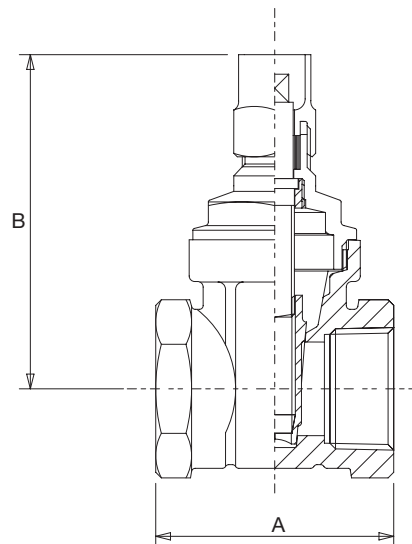
## Features & Benefits

- Crane gate valves offer the ultimate in dependable service wherever minimum pressure drop is important

## Materials

| PART       | MATERIAL                     | SIZES |
|------------|------------------------------|-------|
| Body       | DZR Brass BS EN 12165 CW602N | All   |
| Bonnet     | DZR Brass BS EN 12165 CW602N | All   |
| Stem       | DZR Brass BS EN 12164 CW602N | All   |
| Lockshield | Brass BS EN 12165 CW614N     | All   |
| Packing    | Asbestos Free                | All   |
| Stem Bush  | DZR Brass BS EN 12164 CW602N | All   |
| Disc       | DZR Brass BS EN 12165 CW602N | All   |

## Dimensional Drawing



## Dimensions & Weights

| SIZE (inch) | WEIGHT (kg) | A (mm) | B (mm) |
|-------------|-------------|--------|--------|
| 1/2         | 0.23        | 50     | 65     |
| 3/4         | 0.36        | 54     | 75     |
| 1           | 0.5         | 62     | 81     |
| 1 1/4       | 0.82        | 70     | 105    |
| 1 1/2       | 1.08        | 72     | 122    |
| 2           | 1.83        | 88     | 149    |

## Pressure/Temperature Ratings

|                  |            |     |
|------------------|------------|-----|
| TEMPERATURE (°C) | -10 to 100 | 180 |
| PRESSURE (BAR)   | 20         | 9   |

Intermediate pressure ratings shall be determined by interpolation.

**PRESSURE RATING:** PN20

**TEMPERATURE OPERATING RANGE:**

-10 to 180°C

**UK END CONNECTION:**

Taper threaded to BS EN 10226-2 (ISO 7-1) formerly BS 21

**OPERATOR:** Lockshield.

Gate valves are best for services that require infrequent valve operation, and where the disc is kept either fully opened or fully closed. They are not practical for throttling.

**SPECIFICATION:** Valves are manufactured in accordance with BS EN 12288: 2010 for Series B ratings. Non-Rising Stem.

This valve is not suitable for use on group 1 gases or unstable fluids, as defined by the Pressure Equipment Directive 2014/68/EU.\*

**AVAILABLE OPTIONS:** P103 Lockshield Key

\* See page 155 for more information