

DM161

Bronze Gate Valve
Non rising stem

PN25

DM161



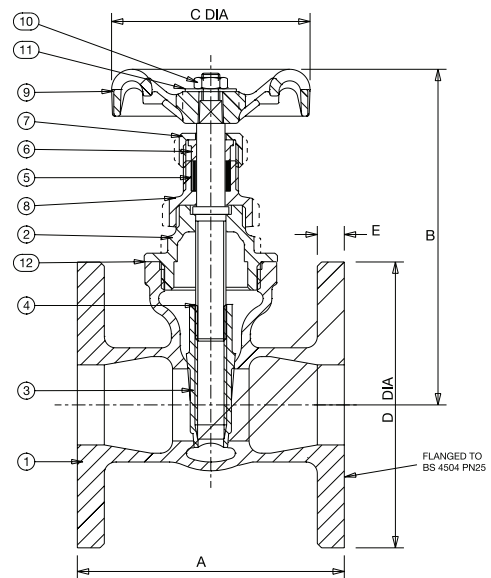
Features & Benefits

- Crane gate valves offer the ultimate in dependable service wherever minimum pressure drop is important

Materials

NO.	PART	MATERIAL	SIZES
1	Body	Bronze BS EN 1982 CC491K	All
2	Bonnet	Bronze BS EN 1982 CC491K	All
3	Disc	Bronze BS EN 1982 CC491K	All
4	Stem	Bronze BS EN 1982 CC491K	2 ¹ / ₂ & 3
4	Stem	DZR Brass BS EN 12164 CW602N	3 ⁴ / ₄ - 2
5	Packing	Asbestos Free	All
6	Gland	Brass BS EN 12164 CW614N	All
7	Packing Nut	Brass BS EN 12164 CW614N	All
8	Stuffing Box	DZR Brass BS EN 12164 CW602N	1 ¹ / ₄ & 1 ¹ / ₂
8	Stuffing Box	Brass BS EN 12164 CW614N	2" only
8	Stuffing Box	Bronze BS EN 1982 CC491K	2 ¹ / ₂ & 3
8	Stem Bush	Al. Bronze NES 834 Pt.2	3 ⁴ / ₄ & 1
9	Handwheel	Malleable Iron BS EN 1562 GJMB-300-6	3" only
9	Handwheel	Aluminium	3 ⁴ / ₄ - 2 ¹ / ₂
10	Handwheel Nut	Brass BS EN 12164 CW614N	All
11	ID Plate	Aluminium	All
12	Gasket	Asbestos Free	3" only

Dimensional Drawing



Dimensions & Weights

SIZE (mm)	WEIGHT (kg)	A (mm)	B (mm)	C (mm)	D (mm)	E (mm)
20	1.73	90	105	52	105	8
25	2.5	100	116	65	115	9
32	4.33	110	145	70	140	9
40	5.75	120	165	78	150	11
50	7.5	135	189	92	165	11
65	10.8	165	232	103	185	13
80	14.4	185	264	121	200	14

PRESSURE RATING: PN25

TEMPERATURE OPERATING RANGE: -10 to 186°C

UK END CONNECTION: Flanged BS 4504

US END CONNECTION: Not Specified

OPERATOR: Handwheel.

Gate valves are best for services that require infrequent valve operation, and where the disc is kept either fully opened or fully closed. They are not practical for throttling.

SPECIFICATION: Valves are manufactured in accordance with BS 5154 PN25 for Series B ratings, having 'short' face-to-face dimensions. Non-Rising Stem. End flanges conform to BS 4504 Section 3.3 with flat face and are normally supplied drilled. Note: Users' attention is drawn to BS 4504 Section 3.3, Clause 8 regarding types of gaskets and mating flanges to be used with metric flanged valves.

This valve is not suitable for use on group 1 gases or unstable fluids, as defined by the Pressure Equipment Directive 2014/68/EU.*

AVAILABLE OPTIONS: Flanges Undrilled

* See page 155 for more information