

FM52

Cast Iron Gate Valve

PN6

FM52



Features & Benefits

- Crane cast iron gate valves offer the ultimate in dependable service wherever minimum pressure drop is important
- Complete with Bronze trim
- Each valve is hydrostatically tested to BS EN 12266-1: 2003
- Manufactured in accordance with BS EN 1171: 2002

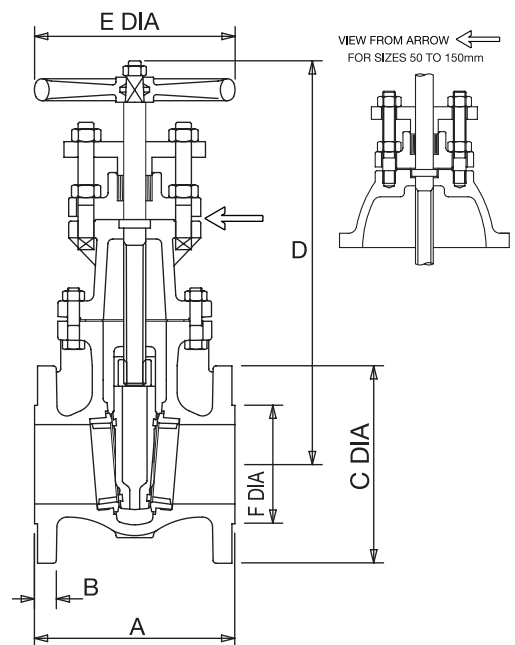
Materials

PART	MATERIAL	SIZES
Body	Cast Iron BS EN 1561 GJL-250	All
Bonnet	Cast Iron BS EN 1561 GJL-250	All
Bonnet Gasket	Asbestos Free	All
Disc	Cast Iron BS EN 1561 GJL-250	All
Stem	Brass BS EN 12164 CW603N	DN50-250
Stem	Stainless Steel BS EN 10088-3 1.4006 (SS410) / Brass BS EN 12164: CW603N	DN300
Stuffing Box	Cast Iron BS EN 1561 GJL-250	All
Gland	Cast Iron BS EN 1561 GJL-250	All
Stuffing Box Gasket	Asbestos Free	All
Packing	Asbestos Free	All
Handwheel	Cast Iron	All
Body Seat Ring	Bronze BS EN 1982 CC491K	All
Disc Stem Nut	Bronze BS EN 1982 CC491K	All
Disc Ring	Bronze BS EN 1982 CC491K	All

Dimensions & Weights

SIZE (mm)	WEIGHT (kg)	A (mm)	B (mm)	C (mm)	D (mm)	E (mm)	F (mm)
50	14	150	16	140	277	140	90
65	16	170	16	160	296	140	110
80	20	180	18	190	337	152	128
100	27	190	18	210	369	203	148
125	39	200	20	240	429	229	178
150	44	210	20	265	470	229	202
200	82	292	22	320	600	305	258
250	123	330	24	375	722	356	312
300	174	356	24	440	818	406	365

Dimensional Drawing



Pressure/Temperature Ratings

TEMPERATURE (°C)	-10 to 120	150
PRESSURE (BAR)	6	5.4

Intermediate pressure ratings shall be determined by interpolation.

PRESSURE RATING: PN6

TEMPERATURE OPERATING RANGE: -10 to 150°C

UK END CONNECTION: Flanged BS EN 1092-2 PN6

OPERATOR: Handwheel.

Gate valves are best for services that require infrequent valve operation, and where the disc is kept either fully opened or fully closed. They are not practical for throttling.

SPECIFICATION: Wedge Disc, Non-Rising Stem, Inside Screw and Yoke.

This valve is not suitable for use on group 1 gases or unstable fluids, as defined by the Pressure Equipment Directive 2014/68/EU.*

AVAILABLE OPTIONS: Flanges Undrilled.

* See page 155 for more information