

D14

Bronze Globe Valve - Series A

PN32*

D14



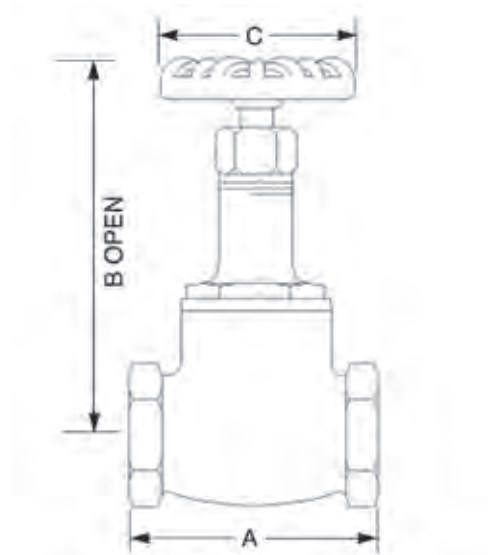
Features & Benefits

- Crane bronze globe valves are highly efficient for throttling because seat and disc designs provide flow characteristics with proportionate relationships between valve lift and flow rate.
- *Sizes 2½" & 3" rated PN25

Materials

PART	MATERIAL	SIZES
Body	Bronze BS EN 1982 CC491K	All
Bonnet	Bronze BS EN 1982 CC491K	All
Disc Stem Ring	Brass BS EN 12163 CW721R	All
Disc	Bronze BS EN 1982 CC491K	All
Stem	Manganese Bronze BS EN 12163 CW721R	All
Gland	Brass BS EN 12164 CW614N	All
Packing	Asbestos Free	All
Packing Nut	Brass BS EN 12164 CW614N	¼ - 2½
Packing Nut	Bronze BS EN 1982 CC491K	3" only
Handwheel	Aluminium	¼ - 2½
Handwheel	Malleable Iron BS EN 1562 GJMB-300-6	3" only
Handwheel Nut	Brass BS EN 12164 CW614N	All
ID Plate	Aluminium	All
Gasket	Asbestos Free	2½ - 3

Dimensional Drawing



Dimensions & Weights

SIZE (inch)	WEIGHT (kg)	A (mm)	B (mm)	C (mm)
¼	0.39	52	100	52
⅜	0.38	52	100	52
½	0.54	62	101	52
¾	0.65	74	115	52
1	0.9	90	125	70
1¼	1.58	100	150	70
1½	2.06	115	159	92
2	3.31	136	191	103
2½	5.9	166	220	121
3	10.3	190	255	152

Pressure/Temperature Ratings

TEMPERATURE (°C)	-10 to 100	260
PRESSURE (BAR)	32	14

Intermediate pressure ratings shall be determined by interpolation.

PRESSURE RATING: PN32

TEMPERATURE OPERATING RANGE: -10 to 260°C

UK END CONNECTION: Taper threaded to BS EN 10226-2 (ISO 7-1) formerly BS 21

US END CONNECTION: ANSI B1.20.1

OPERATOR: Handwheel

SPECIFICATION: Valves are manufactured in accordance with BS 5154:1991 series A, PN32 for sizes ¼" to 2" and PN25 for sizes 2½" and 3".

Design incorporates a bronze 35 degree wide angle disc retained on stem by a threaded ring; body seat is integral of the narrow contact angled type.

This valve is not suitable for use on group 1 gases or unstable fluids, as defined by the Pressure Equipment Directive 2014/68/EU.*

* See page 155 for more information