

# DM11

## Flanged Bronze Globe Valve

DM11

PN25

### Features & Benefits

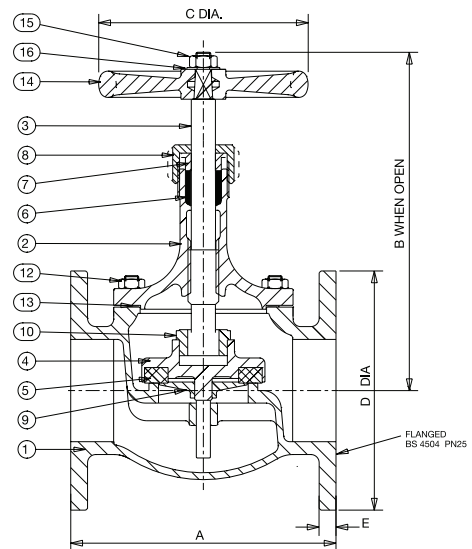
- Crane bronze globe valves are highly efficient for throttling because seat and disc designs provide flow characteristics with proportionate relationships between valve lift and flow rate

### Materials

| NO. | PART            | MATERIAL                             | SIZES   |
|-----|-----------------|--------------------------------------|---------|
| 1   | Body            | Bronze BS EN 1982 CC491K             | All     |
| 2   | Bonnet          | Bronze BS EN 1982 CC491K             | All     |
| 3   | Stem            | Bronze BS EN 1982 CC491K             | All     |
| 4   | Disc            | PTFE (25% Glass Filled)              | All     |
| 5   | Disc Holder     | Brass BS EN 12164 CW617N             | 15 - 25 |
| 5   | Disc Holder     | Bronze BS EN 1982 CC491K             | 32 - 80 |
| 6   | Union Ring      | Bronze BS EN 1982 CC491K             | 15 - 50 |
| 7   | Packing         | Asbestos Free                        | All     |
| 8   | Gland           | Brass BS EN 12164 CW614N             | All     |
| 9   | Packing Nut     | Brass BS EN 12164 CW614N             | 15 - 40 |
| 9   | Packing Nut     | Bronze BS EN 1982 CC491K             | 50 - 80 |
| 10  | Washer          | Brass BS EN 12164 CW614N             | 15 - 50 |
| 11  | Disc Ret'ng Nut | Brass BS EN 12164 CW614N             | 15 - 50 |
| 11  | Disc Ret'ng Nut | Bronze BS EN 1982 CC491K             | 65 & 80 |
| 12  | Handwheel       | Aluminium                            | 15 - 50 |
| 12  | Handwheel       | Malleable Iron BS EN 1562 GJMB-300-6 | 65 & 80 |
| 13  | Handwheel Nut   | Brass BS EN 12164 CW614N             | All     |
| 14  | ID Plate        | Aluminium                            | All     |
| 15  | Disc Stem Ring  | Bronze BS EN 1982 CC491K             | 65 & 80 |
| 16  | Bonnet Stud     | Steel BS 970 070M20                  | 65 & 80 |
| 17  | Bonnet Stud Nut | Steel BS 4190 Gr.4                   | 65 & 80 |
| 18  | Gasket          | Asbestos Free                        | 65 & 80 |



### Dimensional Drawing



### Dimensions & Weights

| SIZE (mm) | WEIGHT (kg) | A (mm) | B (mm) | C (mm) | D (mm) | E (mm) |
|-----------|-------------|--------|--------|--------|--------|--------|
| 15        | 1.71        | 108    | 128    | 65     | 95     | 8      |
| 20        | 2.82        | 117    | 145    | 70     | 105    | 8      |
| 25        | 3.29        | 127    | 161    | 78     | 115    | 9      |
| 32        | 4.93        | 146    | 180    | 92     | 140    | 90     |
| 40        | 6.28        | 159    | 199    | 103    | 150    | 11     |
| 50        | 9.74        | 190    | 233    | 121    | 165    | 11     |
| 65        | 16.2        | 216    | 279    | 152    | 185    | 13     |
| 80        | 21.6        | 254    | 313    | 152    | 200    | 14     |

**PRESSURE RATING:** PN25

**TEMPERATURE OPERATING RANGE:**  
-10 to 186°C

**UK END CONNECTION:** Flanged BS 4504

**US END CONNECTION:** Not Specified

**OPERATOR:** Handwheel

**AVAILABLE OPTOINS:** P150 Locking Device

**SPECIFICATION:** Valves are manufactured in accordance with BS 5154 PN25 for series B ratings with 'long' face-to-face. Design incorporates disc holder which on sizes 15 to 50 slips on to stem and on sizes 65 and 80 is retained by a threaded ring. Body seat is integral of the semi-crown type. Sizes 15 to 50 have union bonnet; sizes 65 and 80 have a bolted bonnet.

End flanges conform to BS 4504 Section 3.3 with flat face and are normally supplied drilled.

Note: Users attention is drawn to BS 4504 Section 3.3 Clause 8 regarding types of gaskets and mating flanges to be used with metric flanged valves.

This valve is not suitable for use on group 1 gases or unstable fluids, as defined by the Pressure Equipment Directive 2014/68/EU.\*

\* See page 155 for more information

Valid as of 27/11/19

Every effort has been made to ensure that the information contained in this publication is accurate at the time of publishing. Crane Ltd assumes no responsibility or liability for typographical errors or omissions or for any misinterpretation of the information within the publication and reserves the right to change without notice.