

D888

Straight Lockshield Valve

D888



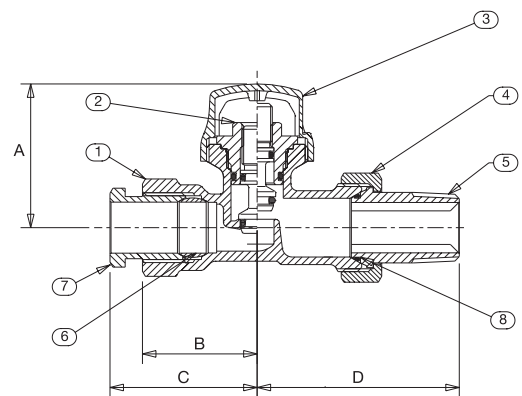
Features & Benefits

- Complete with compression adaptor allows for installation onto either threaded or smooth pipe to suit site requirements

Materials

| NO. | PART | MATERIAL |
|-----|---------------------|--|
| 1 | Body | Brass (Chrome Plated) BS EN 12164 CW617N |
| 2 | Lockshield Assembly | Brass BS EN 12164 CW614N |
| 3 | Lockshield Cap | Thermoplastic ABS |
| 4 | Tailpiece Ring | Brass BS EN 12164 CW617N |
| 5 | Tailpiece | Brass BS EN 12164 CW617N |
| 6 | Compression Olive | Brass BS EN 12164 CW602N |
| 7 | Compression Adaptor | Brass BS EN 12164 CW614N |
| 8 | Hydraulic Seals | Rubber EPDM |

Dimensional Drawing



Dimensions & Weights

| SIZE (mm) | WEIGHT (g) | A (mm) | B (mm) | C (mm) | D (mm) |
|-----------|------------|--------|--------|--------|--------|
| 15 | 273 | 43 | 34 | 44 | 60 |
| 22 | 455 | 44 | 40 | 51 | 65 |