

# FM278

## Ductile Iron Strainer

PN25

FM278



GENERAL VALVES

### Features & Benefits

- Scale and dirt in piping systems causes endless trouble and frequent serious damage to pipeline equipment
- Installation of Crane strainers will help eliminate the problems caused by foreign matter with piping systems
- The FM278 offers the integrity of manufacture, quality and reliability which are the hallmarks of Crane products
- Cap tapped and plugged for drain (drain valve sold separately)

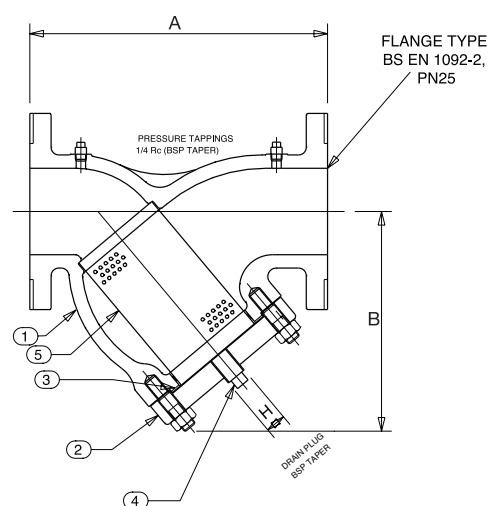
### Materials

NO.	PART	MATERIAL
1	Body	Ductile Iron - BS EN 1563 EN GJS 500/7
2	Cap	Ductile Iron - BS EN 1563 EN GJS 500/7
3	Gasket	Asbestos Free
4	Plug	Ductile Iron - BS EN 1563 EN GJS 500/7
5	Screen	304 Stainless Steel

### Dimensions & Weights

SIZE (mm)	A (mm)	B (mm)	H(RC)	WEIGHT (kg)
50	230	146	½"	13.0
65	273	174	1"	18.3
80	295	198	1"	21.2
100	352	232	1"	25.9
125	416	285	1¼"	36.0
150	470	305	1½"	60.0
200	543	401	1½"	100.0
250	660	473	2"	170.0
300	770	554	2"	290.0

### Dimensional Drawing



### Pressure/Temperature Ratings

TEMPERATURE (°C)	-10 to 120
PRESSURE (BAR)	25

Intermediate pressure ratings shall be determined by interpolation.

**PRESSURE RATING:** PN25

**END CONNECTION:** Flanged to BS EN 1092-2 PN25

**TEMPERATURE OPERATING RANGE:**

-10 to 120°C

**SPECIFICATION:** Flanges conform to BS EN 1092-2 PN25 Section 3.2 table 11 with raised face.

Strainers are supplied with a stainless steel perforated strainer element having 1.6mm diameter holes.

This product is suitable for use on Group 2 liquids only, as defined by the Pressure Equipment Directive 2014/68/EU.\*

\* See page 155 for more information