

D172A.PF Integral Ended Press-Fit Range



DZR Ball Valve

PN16

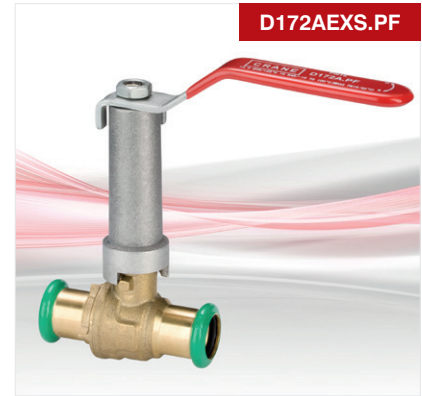
Form and Function

Ball Valves are light, compact units, which are easy to install and operate, giving low flow resistance and 100% bubble tight shut off.

Crane FS WRAS Approved Press-Fit integral ended Ball Valves, are designed for both new-build and refurbishment projects, and can be installed on a variety of pipe materials. The Quarter-turn Bi Directional flow valve is suitable for isolation applications (open or closed).

Features & Benefits

- Quarter-turn full-bore isolation valve complete with integral M-Profile press-fit connectors, for reliable sealing
- O-Ring features define leak paths, to identify unpressed joints
- Press indicators which surround the pressing contours, give visual identification of a pressed joint
- Suitable for hard and half hard copper tubes to EN 1057, precision carbon steel tubes to EN 10305-3, and precision stainless steel tubes EN 10312, to meet a variety of application requirements
- Quickly and easily installed using a Press-Fit tool, with site labour time reduced by 20% - 25%
- Available in a variety of operators, to meet application requirements
- WRAS Approved to 85°C for use on wholesome (potable) water applications



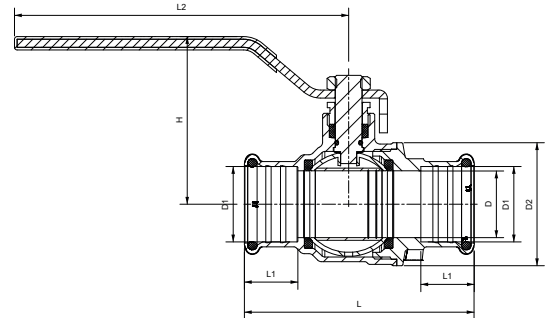
** Lever, Extension Stem Lever, Lockshield & T-Handle operators available.

PRESS-FIT VALVES

Materials

COMPONENT	MATERIAL	SPECIFICATION
Body DZR Brass	BS EN 12165 CW602N	
Seat Retainer	DZR Brass	BS EN 12165 CW602N
Seat PTFE	WRAS Approved	
Ball 15mm - 18mm	DZR Brass Chrome Plated	BS EN 12165 CW602N
Ball 22mm - 54mm	Stainless Steel	BS EN 10088-3 gr. 1.4325
Stem DZR Brass	BS EN 12165 CW602N	
Lever Steel	Dacromet Plated	
Packing Nut	Brass	BS EN 12164 CW617N
Packing Gland	PTFE	WRAS Approved
O-Ring seal	HNBR	EN682 & WRAS Approved
Connector O-ring	EPDM	EN681-1 & WRAS Approved
Hex Nut	Steel	Dacromet Plated
Plastic film paper	PVC	-

Dimensional Drawing*



Dimensions & Weights*

SIZE (mm)	DIMENSIONS (MM)							WEIGHT (kg)
	D	D1	D2	L	L1	L2	H	
15 x 15	13.5	15.2	28.5	64.3	18	98.5	48.1	0.169
18 x 18	14.8	18.2	31.5	68.5	18	98.5	49.1	0.206
22 x 22	20	22.2	39	77	20	98.5	52.6	0.259
28 x 28	25	28.2	46	86	20	125	62.7	0.415
35 x 35	32	35.3	57.5	98.5	21	140	79	0.735
42 x 42	39.5	42.3	70	119	27	140	84.8	1.056
54 x 54	50	54.3	88.5	137	28.5	165	98.5	1.757

Pressure/Temperature Ratings

TEMPERATURE (°C)	-10 to 100	120
PRESSURE (BAR)	16.0	13.5

PRESSURE RATING: PN16

TEMPERATURE RANGE: -10 to 120°C, WRAS Approved to 85°C

****Operators:**

- Lever - D172A.PF
- Extension stem lever - D172AEXS.PF
- Lockshield - D172ALS.PF
- T-handle - D172ATH.PF

CRANE FS D172A.PF SPECIFICATION CLAUSE: DZR Brass (CW 602N) bodied end-entry Ball Valve. Full bore. Quarter-turn, Bi Directional flow, lever, extension lever, lockshield or t-handle operated. DZR brass ball chrome plated (15mm - 18mm) and stainless steel ball (22mm - 54mm). PTFE seats, blowout proof stem. Integrated M-Profile Press-Fit ends, featuring visual pressed indicator and 'fail safe' O-Ring defined leak paths. Rated PN16, (Maximum temperature 120°C, WRAS Approved to 85°C). Suitable for hard and half hard copper tubes to EN 1057, precision carbon steel tubes to EN 10305-3, and precision stainless steel tubes EN 10312.

SYSTEM CONNECTION WARRANTY: Crane FS warrant the system connection on the D172A.PF Press-fit Ball Valves. The joint must be made using the correct M profile press-fit tool (as stated in IOM). The range is approved for use on the following pipework specifications: • Hard R290 copper pipe to BS EN 1057 • Half hard R250 copper pipe to BS EN 1057 • Carbon steel pipe to BS EN 10305-3 • Stainless steel pipe to BS EN 10312

Compatible crimp tools include: Novopress ACO 102, Novopress ACO 203XL, REMS Mini-Press 22V AAC BP, REMS ACC Li-Ion Set, and Klauke (UAP4L).

*Information shown is for D172A.PF. Options with other operators are available on request.

Every effort has been made to ensure that the information contained in this publication is accurate at the time of publishing. Crane Ltd assumes no responsibility or liability for typographical errors or omissions or for any misinterpretation of the information within the publication and reserves the right to change without notice.

Valid as of 080121