

D995 DN15, DN20 & DN25

Peak Pro

Pressure Independent Control Valve

PN25

Features & Benefits

ProBalance

- Comprehensive flow range available, allowing for cost effective valve selections. The PICV Peak Pro has up to 70% higher max flow compared to the previous model
- Accurate over a wide ΔP range - available in both 400 and 800kPa variants
- Class IV leakage*
- PN25 rated product, suitable for high pressure applications
- Design validation testing to BSRIA BTS01. As per Cyclic Testing requirements, valve subjected to 10,000 cycles (equivalent to 15 years** of typical service)
- Comprehensive testing undertaken for each valve - pressure tested to BS EN 12266-1
- Integral test points for verification of ΔP and valve performance
- Built in convoluted integral diaphragm
- Smaller and lighter design suits applications with a small footprint



bimstore

Materials

ITEM	DESCRIPTION	MATERIAL
1	Body	DZR Brass BS EN 12165 (CW602N)
2	Bonnet	DZR Brass BS EN 12165 (CW602N)
3	End Cap	DZR Brass BS EN 12165 (CW602N)
4	P84 Test Point	DZR Brass BS EN 12165 (CW602N)
5	Setting Dial	Nylon 6
6	DP Controller	Stainless Steel 303
7	Springs	Stainless Steel 302
8	Diaphragm	EPDM
9	O-Rings	EPDM
10	O-Ring Insert	DZR Brass BS EN 12165 (CW602N)
11	Stem	Stainless Steel 303

*DN15 LF Class 3 **based on two full stroke cycles per day

Dimensions & Weights

	A (mm)	B (mm)	C (mm)	C2 (mm)	D (mm)	END CONNECTIONS	WEIGHT (kg)
DN15	74	36	63	120	27	1/2" BSP Female Taper to BS EN 10226-2	0.52
DN20	90	47	75	130	30	3/4" BSP Female Taper to BS EN 10226-2	0.82
DN25	112	63	75	130	51	1" BSP Female Taper to BS EN 10226-2	1.55

Flow Range

	LOW FLOW (l/s)	STD FLOW (l/s)	HIGH FLOW (l/s)
DN15	0.008 - 0.080	0.060 - 0.200	0.10 - 0.370
DN20	-	0.070 - 0.350	0.075 - 0.420
DN25	-	0.120 - 0.600	0.360 - 0.850

Differential Pressure Range

	LOW FLOW (kPa)	STD FLOW (kPa)	HIGH FLOW (kPa)
DN15	20 - 400 20 - 800	25 - 400 20 - 800	40 - 400 40 - 800
DN20	-	27 - 400 27 - 800	40 - 400 40 - 800
DN25	-	40 - 400 40 - 800	70 - 400 70 - 800

Please request max ΔP on order

PRESSURE RATING: PN25

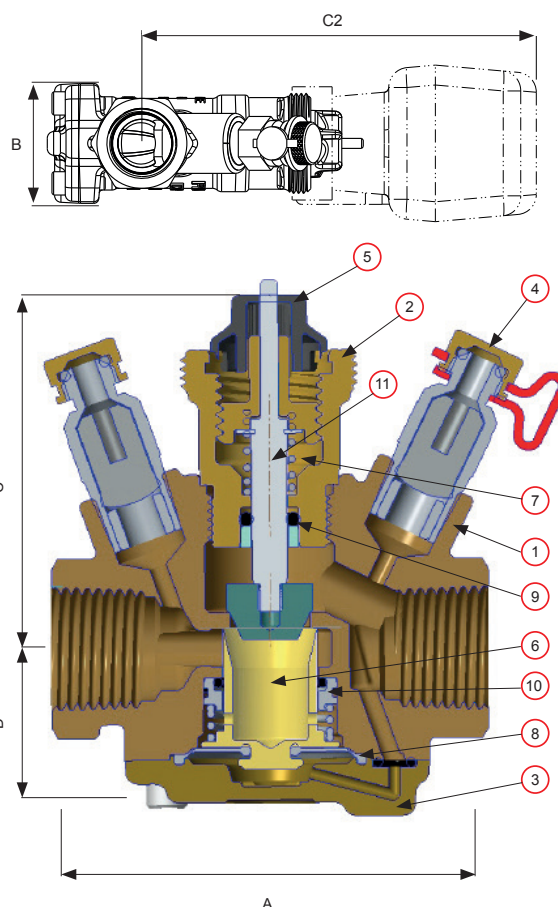
MEDIUM: Group 2 Liquids

END CONNECTIONS:
BSP Female Taper to BS EN 10226-2

SPECIFICATION: The PICV shall have a constant control characteristic at all flow settings and control flow rates at differential pressures up to 800kPa. Flow rates will be externally adjustable, and set point recordable. Integral test points will be fitted to verify setting pressure allowing pumps to be set at optimum speed to maximise energy savings. Shall be manufactured from DZR Brass, with Stainless Steel springs, and an EPDM diaphragm. Shall be rated to PN25 and operate at temperatures to 90°C. As per Crane FS Peak Pro (Fig D995).

SPARES: Isolating cap part number 0ED13666H.

Dimensional Drawings



Pressure/Temperature Ratings

TEMPERATURE (°C)	0°C to 90°C
PRESSURE (BAR)	25 Bar