

CRANE

FLUID SYSTEMS

Peak **Pro**[®]
Dominator

Z9601PF, Z9701P, Z9701PF, Z9801P & Z9801PF 80mm SERIES

These instructions cover the general notes for the following Z9601PF, Z9701P, Z9701PF, Z9801P & Z9801PF 80mm Series units;

- Flow management system for fan coil units.
- Combines essential control components and connecting pipework into one compact, fully assembled unit ready to connect.
- The 80mm Dominator Peak Pro is compact and ultra lightweight.
- The bypass valve unit comprises two integrated 3-way valves.
- Includes the Peak Pro (Pressure Independent Control Valve) for optimum flow control.
- The strainer unit has an integral filter and pressure test point, plus drain cock/vent facility.



Z9801P



Z9701P



Z9601PF



Z9801PF



Z9701PF

INSTALLATION

The valve may be installed directly or remotely to a load (typically a Fan Coil Unit). The direction of flow should be such that the PICV is on the return from the load.

Temperature Range: -10 to 100°C | Pressure rating: PN16

PREPARATION/FITTING

Steel tube: Cut square and de-burr internally and externally, thread to BS EN 10226-2 and fit to Dominator using PTFE tape to BS7786:2006 or other recommended jointing compound. Other types of piping system can be used providing a suitable adaptor with a threaded end is utilised.

Whilst fitting pipe and/or adaptors it is important that the wrench is positioned close to the joint to be assembled, in order to avoid damaging the valve.

Ensure the pipe work is correctly supported to avoid undue strain on the joints.

OPERATION: BYPASS VALVE

There are four primary modes of operation, as illustrated in Figure 1. It is factory set in Isolation / Flushing bypass mode. The mode of operation can be changed by adjusting the T-Handles as indicated in Figure 1.

In line with BSRIA recommendations, it is recommended that a flushing point be located between the coil and the PICV (see Z9601PF for reference). This allows the coil to be flushed without the water passing through the PICV.

MAINTENANCE

The Z9801P, Z9801PF, Z601PF is fitted with a stainless steel perforated screen with drain-cock/vent facility and pressure tapping point. The screen may be removed for cleaning by undoing the bonnet. Replacement screens are available. It is recommended that the gasket is replaced during routine servicing. Re-tighten the bonnet to the recommended torque (**Refer to table opposite**).

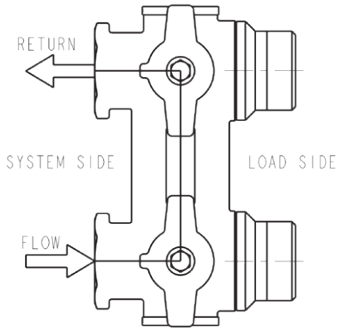
The strainer maybe back or forward flushed by setting the bypass valve to the appropriate mode (**refer to Modes of Operation**) and loosening the drain-cock about two to three turns. The drain-cock has provision for attaching a drain hose. Avoid over-tightening the drain-cock, which requires only low torque to seal. The load can also be flushed in the back-flushing mode.

This valve is intended for group 2 liquids only, as defined by the pressure Equipment Directive 2014/68/EU.

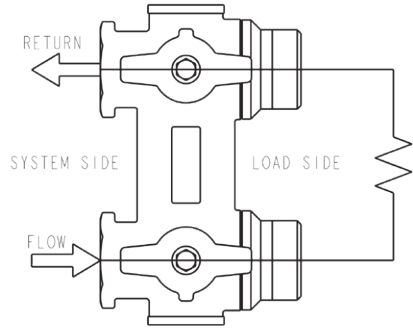
For further assistance please call our technical helpline on **+44 (0) 1473 277400** or email us at: **enquiries@cranefs.com**

Following a policy of continuous improvement, Crane Fluid Systems reserves the right to alter specifications shown in this document and the e-catalogue without prior notice.

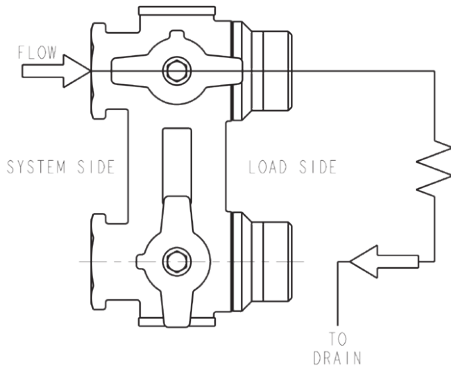
MODES OF OPERATION (FIGURE 1)



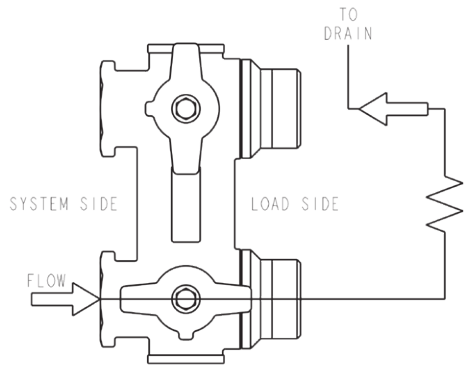
ISOLATION AND FLUSHING BYPASS



NORMAL OPERATION



BACK FLUSHING



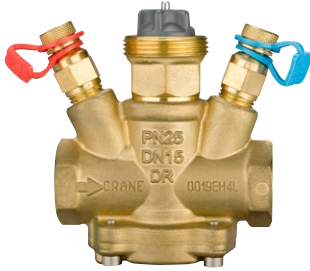
FORWARD FLUSHING

STRAINER TORQUE TABLE

DN	Strainer Bonnet Torque
DN15	35
DN20	35
DN25	70

SYSTEM COMPONENTS

For detailed installation, operating and maintenance instructions for the system components that combine to make up the Z9601PF, Z9701P, Z9701PF, Z9801P & Z9801PF Series Dominator Peak Pro, please see the relevant sections of our website as below:



D995 PEAK PRO PICV



D901/D902 METERING STATION



D299P STRAINER DRAIN



D342 DRAIN



FLUSHING DRAIN

For information on all other components and additional configurations please contact the Crane Technical Support Desk at: tech-enquiries@technicalbsu.com



To visit our Video Library go to:
www.youtube.com/user/CraneBSU

CRANE

FLUID SYSTEMS



FM 00311

EMS 553775

CRANE HOUSE, EPSILON TERRACE,
WEST ROAD, IPSWICH,
SUFFOLK IP3 9FJ
TELEPHONE: +44 (0)1473 277300
FAX: +44 (0)1473 277301
UK SALES ENQUIRES: enquiries@cranefs.com
TECHNICAL ENQUIRES: tech-enquiries@crane-ltd.co.uk
TELEPHONE: +44 (0)1473 277400

www.cranefs.com

MIDDLE EAST & NORTH AFRICA
SALES OFFICE,
BUILDING 4, OFFICE 901,
THE GALLERIES, PO BOX 17415,
DOWNTOWN JEBEL ALI
DUBAI, UAE
TELEPHONE: 5800 816 4(0) 971+
EXPORT SALES ENQUIRES: mena-enquiries@cranefs.com

• Designed and manufactured under quality management systems in accordance with BS EN ISO 9001. Every effort has been made to ensure that the information contained in this publication is accurate at the time of publishing. Crane Ltd assumes no responsibility or liability for typographical errors or omissions or for any misinterpretation of the information within the publication and reserves the right to change without notice.

CFS_Z9801_0821
0EA0862D_V8