

# D295

## Bronze Strainer



PN20

D295



GENERAL VALVES

### Features & Benefits

- Robust and high quality bronze body
- Streamlined flow contours minimise pressure drop
- Compact design with short face to face
- Perforated stainless steel screen
- Captive asbestos-free non-stick PTFE gasket

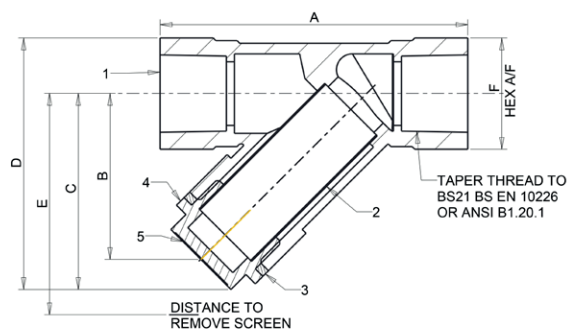
### Materials

NO.	PART	MATERIAL
1	Body	Bronze to BS EN 1982 CC491K
2	Mesh	Stainless Steel to A.I.S.I. Type 304
3	Cap Seal	PTFE
4	Cap	Bronze to BS EN 1982 CC491K
5	ID Plate	Aluminium

### Dimensions & Weights

DN	MESH HOLE Ø (mm)	A (mm)	B (mm)	C (mm)	D (mm)	E (mm)	F (mm)	WEIGHT (kg)
15	0.75	58	33	40	55	62	27	0.19
20	0.75	70	42	54	69	80	33	0.30
25	0.75	88	48	60	80	93	39	0.43
32	1.40	96	55	69	95	108	49	0.74
40	1.40	107	61	76	107	118	55	1.01
50	1.40	126	79	99	135	153	67	1.46

### Dimensional Drawing

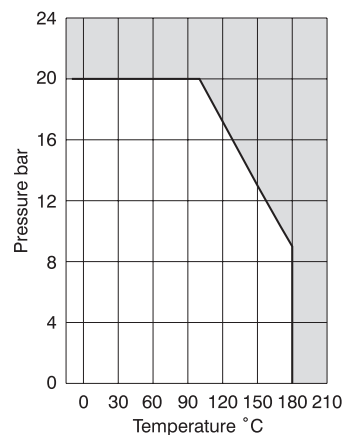


### Pressure/Temperature Ratings

TEMPERATURE (°C)	-10 to 100	180
PRESSURE (BAR)	20	9

Intermediate pressure ratings shall be determined by interpolation.

WRAS approval -10 to 85°C



**PRESSURE RATING:** PN20

**TEMPERATURE OPERATING RANGE:** -10° to 180°C

**UK END CONNECTION:** Taper threaded to BS EN 10226-2 (ISO 7-1) formerly BS 21

**US END CONNECTION:** ANSI B1.20.1

\* WRAS -10 to 85°C

**SPECIFICATION:** Bronze Y Strainer, with body and cap to BSEN1982 CC491K, SS 304 Screen, PTFE Cap seal, PN20 rating.

End connections threaded to BS EN 10266 (BS 21 Taper ISO R7) & B1.20.1 ANSI. Use suffix AT for American threads.

This valve falls under SEP category and suitable for use on Group 2 gases, Group 1 Liquids and Group 2 Liquids, as defined by the Pressure Equipment Directive 2014/68/EU\*

Valid as of 220321

Every effort has been made to ensure that the information contained in this publication is accurate at the time of publishing. Crane Ltd assumes no responsibility or liability for typographical errors or omissions or for any misinterpretation of the information within the publication and reserves the right to change without notice.