

D2003 & D2004

Automatic Air Vent



PN10

Features & Benefits

- Removes inevitable potentially dangerous air trapped in system
- Simplifies the venting process
- Saves time and costs
- WRAS approved for closed circuit use only
- A shut-off valve option is available in size 1/2 inch. Please specify when ordering D2004
- Conforms to design standard BS EN 1074-4.

Materials

PART	MATERIAL	SPECIFICATION BS EN
Body 1"	Brass	EN12165 - CW617N
Body 3/8" to 3/4"	Brass	EN 1982 - CC754S
Cover	Brass	EN12165 - CW617N
Plug	Plastic	POLYAMIDE PA6 GF30%
Piston	Plastic	ACETAL
Seat	Brass	EN 12164 - CW614N
Gasket	Plastic	P.T.F.E.
Separating	Plastic	ACETAL
O-Ring	Rubber	EPDM PEROX
Spring	Stainless Steel	EN 10270-3 - 1.4310
Body isolation valve	Brass	EN 12164 - CW614N
O-Ring	Rubber	NBR
Lever	Plastic	ACETAL
Float	Plastic	POLYPROPYLENE
Seat Gasket	Rubber	NBR
Spring	Stainless Steel	AISI 302-EN 10270-3 NS
Hooking System	Plastic	ACETAL

Dimensions & Weights

FIG NUMBER	SIZE/ THREAD (inch)	D (mm)	H/H1 (mm)	A (mm)	WEIGHT (kg)
D2003	3/8	46	70.50	10.50	0.146
	1/2	46	70.50	10.50	0.157
	3/4	46	70.50	10.50	0.154
	1	46	73.50	13.50	0.190
D2004	1/2	46	88	10.50	0.190

Pressure/Temperature Ratings

TEMPERATURE (°C)	-10 to 110
PRESSURE (BAR)	10

PRESSURE RATING: 10 bar

TEMPERATURE RATING:
10 Bar / 0 to 110°C

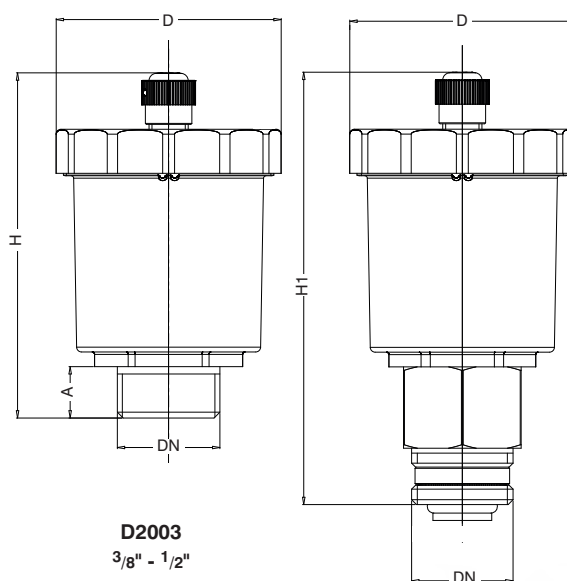
MAXIMUM DISCHARGE PRESSURE: 7 bar

SPECIFICATION: Brass body and cover. Polypropylene float. EPDM seals. WRAS Approved for non-wholesome water in closed circuit central heating. BSP parallel thread. D2004 Shut-Off Valve option available in size 1/2".

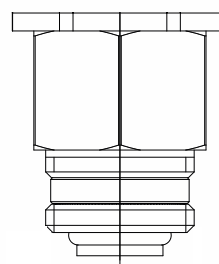


GENERAL VALVES

Dimensional Drawing



Shut-Off Valve base



NOTE

D2004 version with Shut-Off Valve base allows the Automatic Air Vent to be removed without draining the system