

D171

Bronze Ball Valve



D171

D171EXS

Extended Stem Bronze Ball Valve

PN25

Features & Benefits

- **D171** Ball Valves are light, compact units which are easy to install and operate, yet their robust construction ensures long, trouble free service life.
- **D171** and **D171EXS** are WRAS approved for use on hot and cold water systems up to 85°C.
- Extension stem (EXS) to enable valve operation whilst the valve and associated pipework is surrounded with insulation or if the valve is in a hard to access area.

Materials

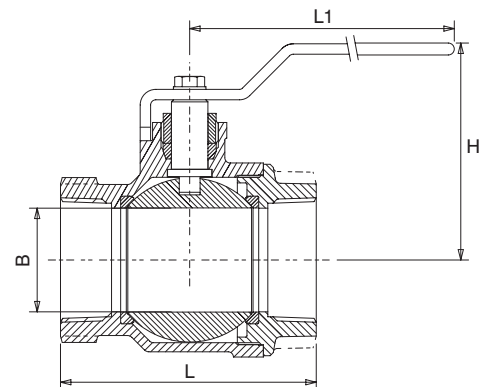
PART	MATERIAL	SIZES
Body	Bronze BS EN 1982 CC491K	All
Seat Retainer	Bronze BS EN 1982 CC491K	All
Ball	DZR Brass BS EN 12165 CW602N (Chrome Plated)	1/2 - 1
Ball	Bronze BS EN 1982 CC491K (Chrome Plated)	1 1/4 - 3
Seat Ring	PTFE	All
Stem	DZR Brass BS EN 12164 CW602N	All
Packing	PTFE	All
Gland Nut	DZR Brass BS EN 12164 CW602N	1/4 - 2
Lever	Mild Steel (Zinc Plated)	All
Screw	Mild Steel (Zinc Plated)	All
Lever Cover	PVC	All
Extension Housing	Aluminium	D171EXS
Extension Stem	Brass BS EN 12164 CW602N	D171EXS



Dimensions & Weights

SIZE (inch)	WEIGHT (kg)	WEIGHT (EXS) (kg)	L (mm)	B (mm)	H (mm)	H (EXS) (mm)	L1 (mm)	KV
1/4	0.15	-	46	10.0	39	-	81	11
3/8	0.15	-	46	10.0	39	-	81	11
1/2	0.24	0.30	57	14.0	54	104	92	20
3/4	0.40	0.47	67	18.1	58	108	92	47
1	0.60	0.69	77	24.1	66	128	127	77
1-1/4	0.86	1.00	91	31.0	72	134	127	141
1-1/2	1.37	1.55	103	39.0	82	151	142	198
2	2.23	2.30	122	50.0	90	159	142	338
2-1/2	4.98	-	153	65.0	117	-	202	593
3	8.75	-	179	80.0	132	-	282	820

Dimensional Drawing



Pressure/Temperature Ratings

Threaded

TEMPERATURE (°C)	-10 to 100	110	120	186
PRESSURE (BAR)	25.0	23.4	21.8	10.5

Intermediate pressure ratings shall be determined by interpolation.

PRESSURE RATING: PN25

TEMPERATURE OPERATING RANGE: -10 To 186°C

UK END CONNECTION: Taper Threaded To BS EN 10226-2 (Iso 7-1) Formerly BS 21

US END CONNECTION: ANSI B1.20.1 (please add suffix AT to denote American Thread)

OPERATOR: Lever

SPECIFICATION: Quarter Turn, Tight Shut-Off. This Valve Is Not Suitable For Use On Group 1 Gases Or Unstable Fluids, as defined by the Pressure Equipment Directive 2014/68/EU.*

* See page 159 for more information

Valid as of 01/10/21

Every effort has been made to ensure that the information contained in this publication is accurate at the time of publishing. Crane Ltd assumes no responsibility or liability for typographical errors or omissions or for any misinterpretation of the information within the publication and reserves the right to change without notice.