

D171A

Threaded DZR Ball Valve



D171A

GENERAL VALVES

D171AEXS

Threaded DZR Ball Valve with Extension Stem

PN25

Features & Benefits

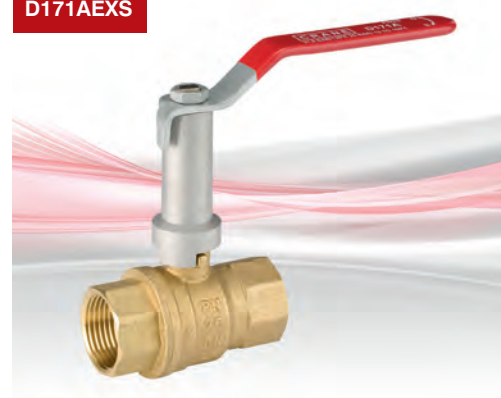
- Designed to be light, compact and easy to install and operate
- Features improved leak resistance and reduced risk of damage from over tightening
- WRAS Approved to 85°C
- Extension stem (EXS) to enable valve operation whilst the valve and associated pipework is surrounded with insulation or if the valve is in a hard to access area.

Materials

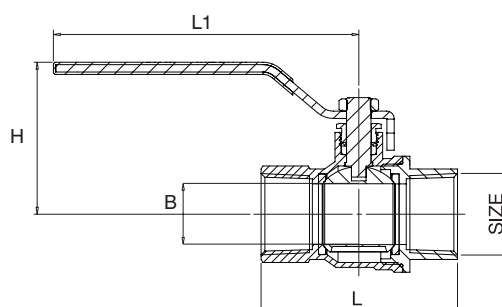
PART	MATERIAL	QUANTITY
Hex-Nut	Steel Plated	1
Lever	Steel Dacromet Plated	1
Sleeve	Maroon PVC	1
Packing Nut	Brass BS EN 12164 CW617N	1
Packing Gland	PTFE WRAS approved	1
Body	DZR Brass BS EN 12165 CW602N	1
Seats	PTFE WRAS approved	2
Ball	DZR Brass Chrome Plated BS EN 12165 CW602N	1
O-Ring	Rubber EPDM WRAS approved	1
Seat Retainer	DZR Brass BS EN 12165 CW602N	1
Stem	DZR Brass BS EN 12164 CW602N	1
Extension Stem Outer	Aluminium	1
Extension Stem Inner	Zinc Plated Steel	1



D171AEXS



Dimensional Drawing



All dimensions are nominal.

Dimensions & Weights

SIZE (inch)	WEIGHT (A) (kg)	WEIGHT (AEXS) (kg)	L (mm)	B (mm)	H (A) (mm)	H (AEXS) (mm)	L1 (mm)	KV
1/4	0.152	-	46	8.0	40.9	-	89	11
3/8	0.136	-	46	10.0	40.9	-	89	11
1/2	0.209	0.268	59	15.0	48.3	103.8	98.5	31
3/4	0.308	0.364	67	20.0	51.8	107.3	98.5	45
1	0.52	0.597	80.4	25.0	62.7	116.2	125	63
1-1/4	0.835	0.948	94	32.0	79	130	140	102
1-1/2	1.139	1.252	102	39.5	84.8	135.8	140	375
2	1.924	2.066	124	50	97.5	150	165	420

Pressure/Temperature Ratings

Threaded

TEMPERATURE (°C)	-10 to 100	120
PRESSURE (BAR)	25	21.8

Intermediate pressure ratings shall be determined by interpolation.

PRESSURE RATING: PN25

TEMPERATURE OPERATING RANGE: -10 to 120°C

UK END CONNECTION: Taper threaded to BS EN 10226-2 (ISO 7-1) formerly BS 21

US END CONNECTION: ANSI B1.20.1:1983 (please add suffix AT to denote American Thread)

OPERATOR: Lever

SPECIFICATION: Quarter Turn

Valid as of 011021

Every effort has been made to ensure that the information contained in this publication is accurate at the time of publishing. Crane Ltd assumes no responsibility or liability for typographical errors or omissions or for any misinterpretation of the information within the publication and reserves the right to change without notice.