

D171MHU

Bronze Draw-Off Valve



D171MHU

D171MHULS

Bronze Draw-Off Ball Valve with Lockshield

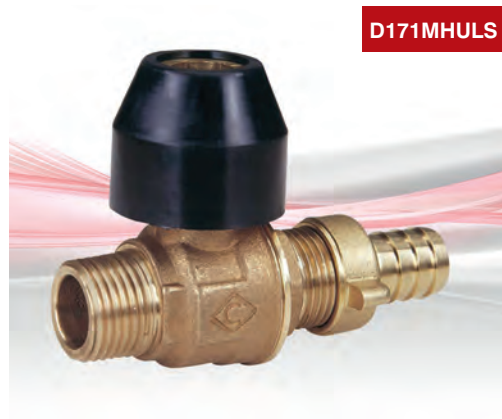
PN25

Features & Benefits

- Designed to be light, compact and easy to install and operate
- WRAS approved for use on hot and cold water systems up to 85°C
- Features improved leak resistance and reduced risk of damage from over tightening
- Allows for a flexible hose to be easily connected to facilitate draining of the system into remotely located receptacle or drain with minimal spillage

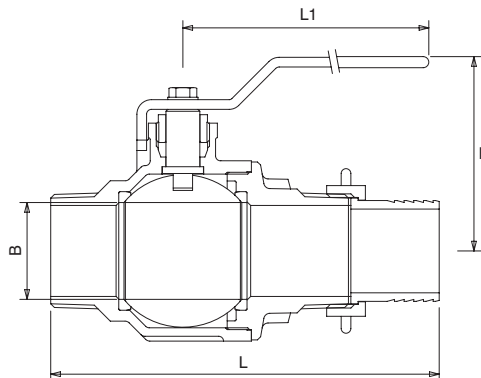
Materials

PART	MATERIAL	SIZES
Body	Bronze BS EN 1982 CC491K	All
Seat Retainer	Bronze BS EN 1982 CC491K	All
Ball	DZR Brass BS EN 12165 CW602N-Chrome Plated	All
Seat	PTFE	All
Stem	DZR Brass BS EN 12164 CW602N	All
Packing	PTFE	All
Gland Nut	Brass BS EN 12164 CW617N	All
Lever	Mild Steel (Zinc Plated)	D171MHU
Lever Screw	Mild Steel (Zinc Plated)	D171MHU
Lever Cover	PVC	D171MHU
Hose Connector	Brass BS EN 12164 CW617N	All
Hose Union Nut	Brass BS EN 12165 CW617N	All
Washer	PTFE	All
Lockshield Cap	Brass BS EN 12164 CW617N	D171MHULS
Lockshield Cover	Nylon 6	D171MHULS



GENERAL VALVES

Dimensional Drawing



Dimensions & Weights

SIZE (inch)	WEIGHT (MHU) (kg)	WEIGHT (MHULS) (kg)	L (mm)	B (mm)	H (MHU) (mm)	H (MHULS) (mm)	L1 (MHU) (mm)	L1 (MHULS) (mm)	KV
1/2	0.31	0.31	104	15.0	40	47	82	34.9	20
3/4	0.58	0.58	124	20.0	56	51	92	34.9	47
1	0.90	0.90	147	25.0	65	57	127	38.5	77

Pressure/Temperature Ratings

TEMPERATURE (°C)	-10 to 100	110	120	186
PRESSURE (BAR)	25.0	23.4	21.8	10.5

Intermediate pressure ratings shall be determined by interpolation.

PRESSURE RATING: PN25

TEMPERATURE OPERATING RANGE: -10 to 186°C

UK END CONNECTION: Taper threaded to BS EN 10226-2 (ISO 7-1) formerly BS 21

OPERATOR: Lever / Allen Key

SPECIFICATION: Quarter Turn, Tight Shut-off. Male x hose union outlet.

This valve is not suitable for use on Group 1 gases and unstable fluids as defined by the Pressure Equipment Directive 2014/68/EU.*

* See page 159 for more information

Valid as of 01/10/21

Every effort has been made to ensure that the information contained in this publication is accurate at the time of publishing. Crane Ltd assumes no responsibility or liability for typographical errors or omissions or for any misinterpretation of the information within the publication and reserves the right to change without notice.