

D171T

T-Handle Bronze Ball Valve



D171LS

Lockshield Bronze Ball Valve

PN25

Features & Benefits

Crane D171 Ball Valves are light, compact units which are easy to install and operate, yet their robust construction ensures long, trouble free service life. In addition the D171T and D171LS are WRAS approved for use on hot and cold water systems up to 85°C.

- T-Handle to allow operation in confined spaces.
- Lockshield to reduce the risk of inadvertent or unwanted operation

Materials

PART	MATERIAL	SIZES
Body	Bronze BS EN 1982 CC491K	All
Seat Retainer	Bronze BS EN 1982 CC491K	All
Ball	DZR Brass BS EN 12165 CW602N	All
Seats	PTFE	All
Stem	DZR Brass BS EN 12164 CW602N	All
Packing	PTFE	All
Gland Nut	DZR Brass BS EN 12164 CW602N	All
T-Handle	Aluminium	D171T
Handle Screw	Steel (Zinc Plated)	D171T
Lockshield Cap	Brass BS EN 12164 CW617N	D171LS
Operator Screw	Steel (Zinc Plated)	D171LS
Lockshield Cover	Nylon 6	D171LS

Dimensions & Weights

SIZE (inch)	WEIGHT (kg)	L (mm)	B (mm)	H (T) (mm)	H (LS) (mm)	L1 (T) (mm)	L1 (LS) (mm)	KV
3/8	0.13	46	10.0	31	-	38	-	11
1/2	0.20	57	14.0	42	50	55	35	20
3/4	0.41	67	18.1	43	51	55	35	47
1	0.64	77	24.1	53	58	83	39	77
1-1/4	1.07	91	31.0	58	63	83	39	141
1-1/2	1.57	103	39.0	73	76	108	46	198
2	2.83	122	50.0	80	84	108	46	338



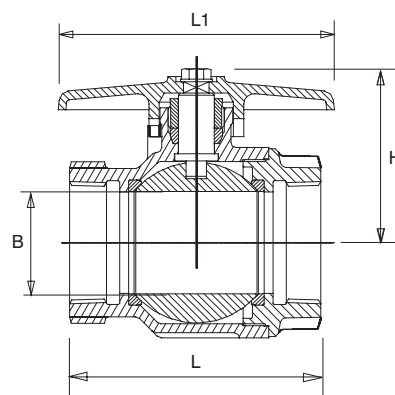
D171T



D171LS

GENERAL VALVES

Dimensional Drawing



Pressure/Temperature Ratings

TEMPERATURE (°C)	-10 to 100	110	120	186
PRESSURE (BAR)	25.0	23.4	21.8	10.5

Intermediate pressure ratings shall be determined by interpolation.

PRESSURE RATING: PN25

TEMPERATURE OPERATING RANGE: -10 to 186°C

UK END CONNECTION: Taper threaded to BS EN 10226-2 (ISO 7-1) formerly BS 21

US END CONNECTION: ANSI B1.20.1 (please add suffix AT to denote American Thread)

OPERATOR: T-Handle / Allen Key

SPECIFICATION: Quarter Turn, Tight Shut-off.

This valve is not suitable for use on Group 1 gases or unstable fluids, as defined by the Pressure Equipment Directive 2014/68/EU.*

* See page 159 for more information

Every effort has been made to ensure that the information contained in this publication is accurate at the time of publishing. Crane Ltd assumes no responsibility or liability for typographical errors or omissions or for any misinterpretation of the information within the publication and reserves the right to change without notice.