

# FM725G

FM725

## Large Diameter Butterfly Valve

PN16



GENERAL VALVES

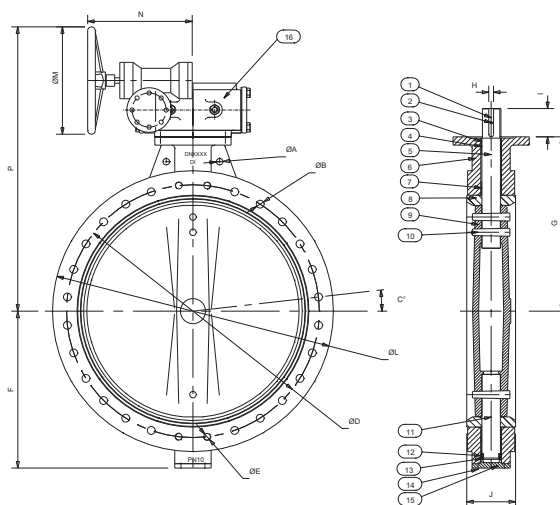
### Features & Benefits

- Suitable for Gearbox or Actuator operation
- Rugged construction: Ductile Iron Body for all sizes
- Stainless Steel disc as standard
- Epoxy paint coated as standard
- Low operating torques
- Double regulating features on gearboxes
- Metric flange and hole pattern

### Materials

NO.	PART	MATERIAL	SPECIFICATION
1	Key	Carbon Steel	ASTM A29 1045
2	Screw	Carbon Steel	ASTM A194 Gr.2H
3	Short Bushing	-	PTFE
4	O' Ring	-	NBR
5	Upper Shaft	Stainless Steel	ASTM A276 420
6	Body	Ductile Iron	EN-GJS-400-15
7	Long Bushing	-	PTFE
8	Seat + Backing Ring	-	EPDM + Aluminium
9	Disc	Stainless Steel	ASTM A351 CF8M
10	Pin	Stainless Steel	ASTM A276 431
11	Lower Shaft	Stainless Steel	ASTM A276 420
12	Bearing	High Carbon Steel	ASTM A295 52100
13	Lower adjusting shim	Carbon Steel	ASTM A36
14	Screw	Carbon Steel	ASTM A194 Gr. 2H
15	Lower Gland	Carbon Steel	EN-GJS-400-15
16	Gearbox	Cast Iron	-

### Dimensional Drawing



### Dimensions & Weights

SIZE (DN)	A (mm)	B (mm)	C (mm)	D (mm)	E (mm)	F (mm)	G (mm)	H (mm)	I (mm)	J (mm)	K (mm)	L (mm)	M (mm)	N (mm)	P (mm)	FLANGE THICKNESS	WEIGHT (kg)		FLOW (kv)
																	Gearbox	Bareshaft	
DN700	N/A	20-Ø37	7.5	840	4-M33	537	629	18	110	165	4-Ø40	910	400	301	957	39.5	548	468	42818
DN800	N/A	20-Ø41	7.5	950	4-M36	596	666	20	110	190	4-Ø40	1025	400	355	1023	43	725	628	33086
DN900	N/A	24-Ø41	6.43	1050	4-M36	656	720	20	110	203	4-Ø42	1125	400	355	1077	46.5	972	875	75688

### Kv Values

SIZE (mm)	DISC POSITION ( ° )								
	10	20	30	40	50	60	70	80	90
700	31	1568	3148	5740	8650	12931	19695	30187	42818
800	39	2065	4144	7557	11927	17830	27157	41621	33086
900	225	2638	5821	11020	17490	28113	45413	68854	75688

**PRESSURE RATING:** DN700 - DN900 PN16

**TEMPERATURE RATING:** -20°C to 120°C

**FACE TO FACE DIMENSIONS:** BS EN 558: 2011 Series 20

**END CONNECTIONS:** Flanges to BS EN 1092 PN16

**ACTUATOR MOUNTING FLANGES:** ISO 5211: 2001

**OPERATORS:** Gearbox

**MEDIUM:** Manufactured to BS EN 593: 2009. Complies with Pressure Equipment Directive 2014/68/EU.

Valid as of 08/2020

Every effort has been made to ensure that the information contained in this publication is accurate at the time of publishing. Crane Ltd assumes no responsibility or liability for typographical errors or omissions or for any misinterpretation of the information within the publication and reserves the right to change without notice.