

D104

Bronze Lift Check Valve

D104

PN20



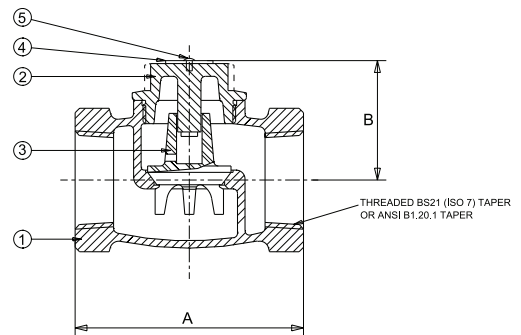
Features & Benefits

- Check valves permit flow in one direction only and close automatically if flow reverses
- Entirely automatic in action, depending upon pressure and velocity of flow within the line to perform their functions of opening and closing
- Lift Check Valves should only be used in horizontal pipe runs

Materials

NO.	PART	MATERIAL	SIZES
1	Body	Bronze BS EN 1982 CC491K	All
2	Cap	Brass BS EN 12164 CW614N	1/2 only
2	Cap	Bronze BS EN 1982 CC491K	3/4 - 2
3	Disc	Bronze BS EN 1982 CC491K	1 - 2
3	Disc	Brass BS EN 12164 CW614N	1/2 & 3/4
4	ID Plate	Aluminium	All
5	Drive Pin	Steel - Electro Brassed	All

Dimensional Drawing



Dimensions & Weights

SIZE (inch)	WEIGHT (kg)	A (mm)	B (mm)
1/2	0.24	55	33
3/4	0.35	63	33
1	0.6	77	39
1 1/4	0.97	91	47
1 1/2	1.26	98	54
2	2.09	118	65

Pressure/Temperature Ratings

TEMPERATURE (°C)	-10 to 100	180
PRESSURE (BAR)	20	9

Intermediate pressure ratings shall be determined by interpolation.

PRESSURE RATING: PN20

TEMPERATURE OPERATING RANGE: -10 to 180°C

UK END CONNECTION: BS 21 Taper

US END CONNECTION: ANSI B1.20.1

OPERATOR: Lift Check Valve

SPECIFICATION: Valves are manufactured in accordance with BS 5154.

Disc is spherical shaped guided in the cap. Body seat is integral.

This valve is not suitable for use on Group 1 gases or unstable fluids, as defined by the Pressure Equipment Directive 2014/68/EU.*

* See page 159 for more information