

D116

Bronze Lift Check Valve

D116

PN32



GENERAL VALVES

Features & Benefits

- Check valves permit flow in one direction only and close automatically if flow reverses
- Entirely automatic in action, depending upon pressure and velocity of flow within the line to perform their functions of opening and closing
- Lift Check Valves should only be used in horizontal pipe runs
- The Crane D116 check valve is of the lift check variety
- Union bonnet design allows for PN32 rating

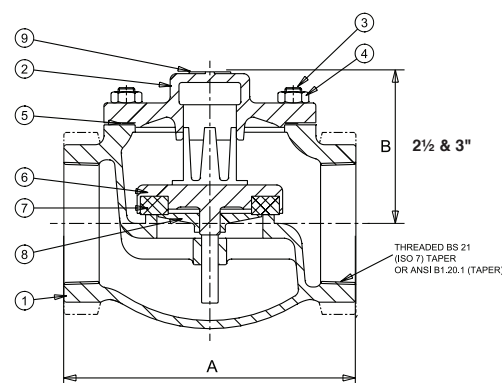
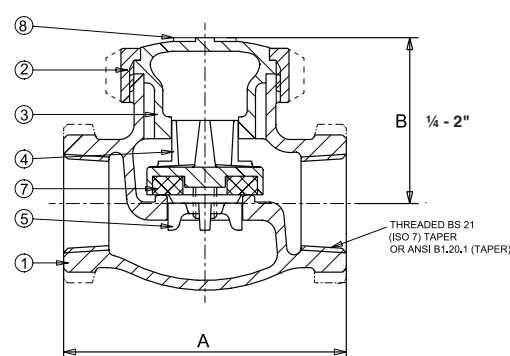
Materials

| NO. | PART | MATERIAL | SIZES |
|-----|---------------------------|--------------------------|-----------|
| 1 | Body | Bronze BS EN 1982 CC491K | All |
| 2 | Union Ring Bronze | BS EN 1982 CC491K | 1/4 - 2 |
| 3 | Cap Bronze | BS EN 1982 CC491K | All |
| 4 | Cap Studs Steel | BS 970 070M20 | 2 1/2 & 3 |
| 5 | Cap Stud Nuts Steel | BS 4190 Gr.4.0 | 2 1/2 & 3 |
| 6 | Disc Holder Bronze | BS EN 1982 CC491K | All |
| 7 | Disc Retaining Nut Bronze | BS EN 1982 CC491K | 1/2 - 3 |
| 7 | Disc Retaining Nut Brass | BS EN 12164 CW614N | 1/4 & 3/8 |
| 8 | Washer Brass | BS EN 12164 CW614N | 1/4 & 3/8 |
| 9 | Disc | PTFE (25% Glass Filled) | All |
| 10 | Gasket | Asbestos Free | 2 1/2 & 3 |
| 11 | ID Plate | Aluminium | All |

Dimensions & Weights

| SIZE (inch) | WEIGHT (kg) | A (mm) | B (mm) |
|-------------|-------------|--------|--------|
| 1/2 | 0.37 | 59 | 37 |
| 3/8 | 0.36 | 59 | 37 |
| 1/2 | 0.51 | 68 | 43 |
| 3/4 | 0.85 | 81 | 49 |
| 1 | 1.32 | 95 | 56 |
| 1 1/4 | 1.97 | 108 | 65 |
| 1 1/2 | 2.65 | 121 | 73 |
| 2 | 4.44 | 146 | 87 |
| 2 1/2 | 9 | 184 | 94 |
| 3 | 13.6 | 210 | 107 |

Dimensional Drawing



Pressure/Temperature Ratings

| | | |
|------------------|------------|-----|
| TEMPERATURE (°C) | -10 to 100 | 198 |
| PRESSURE (BAR) | 32 | 14 |

Intermediate pressure ratings shall be determined by interpolation.

PRESSURE RATING: PN32

TEMPERATURE OPERATING RANGE: -10 to 198°C

UK END CONNECTION: BS 21 Taper

US END CONNECTION: ANSI B1.20.1

OPERATOR: Lift Check Valve

SPECIFICATION: Valves are manufactured in accordance with BS 5154 PN32

for Series B ratings. The design incorporates a disc holder which is guided in the seat bore and the cap. The body seat is integral of the semi-crown type. Sizes 1/4" to 2" have a union cap; sizes 2 1/2" and 3" have a bolted cap.

This check valve is available with a nitrile rubber disc for air, hot and cold water. This valve is not suitable for use on Group 1 gases or unstable fluids, as defined by the Pressure Equipment Directive 2014/68/EU.*

* See page 159 for more information