

F648L / F644L / F658L / F654L / F678L / F674L

Fully Lugged Lever Operated Butterfly Valves

PN16

F648L



GENERAL VALVES

Features & Benefits

- Valves are suitable for use with flanges conforming to BS EN 1092-2 PN16
- Valve to BS EN593
- Ductile Iron, Stainless Steel, Aluminium Bronze Disc Options
- EPDM and Nitrile Seat Liner Options
- 420 Stainless Steel Shafts for superior strength

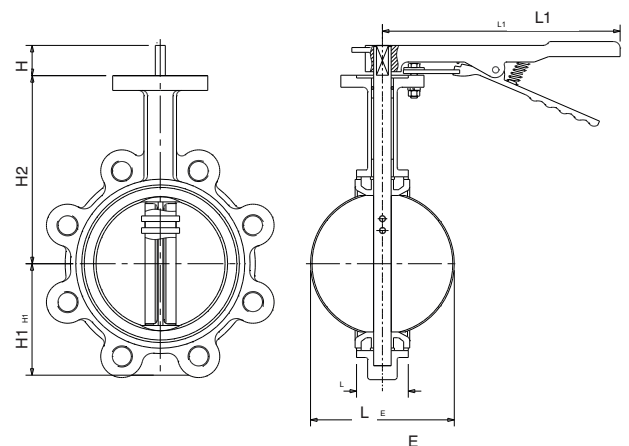
Valve Selection

	EPDM LINER	NITRILE LINER
DUCTILE IRON DISC	F648L	F644L
STAINLESS STEEL DISC	F658L	F654L
ALUMINIUM BRONZE DISC	F678L	F674L

Materials

PART	MATERIAL
Body	Ductile Iron (EN-GJS-400-15)
Disc (F648L & F644L)	Ductile Iron (EN-GJS-400-15) Epoxy coated
Disc (F658L & F654L)	Stainless Steel 304 (ASTM A351 CF8)
Disc (F678L & F674L)	Aluminium Bronze (ASTM B148 C95400)
Liner (F648L, F658L & F678L)	EPDM
Liner (F644L, F654L & F674L)	Nitrile Rubber
Shaft	Stainless Steel 420 (ASTM A276 420)
Taper Pin	Stainless Steel 431 (ASTM A276 431)
O-Ring	Nitrile Rubber
Bushing	PTFE
Lever & Screw	Malleable Iron ASTM Gr.32510
Stop Plate	Mild Steel (GB700 Q235) Chromium Plated

Dimensional Drawing



Dimensions & Weights

SIZE (mm)	WEIGHT (kg)	H2	H1	L	H	L1	ØE	Kv
50	3.5	141	61	43	32	216	52.9	133
65	3.9	153	72	46	32	216	64.7	227
80	5.2	161	87	46	32	216	79.1	349
100	7.3	179	106	52	32	265	104.4	694
125	9.8	193	123	56	32	265	123.3	1181
150	10.7	204	137	56	32	265	155.6	1825
200	18.3	247	174	60	45	374	202.5	2503

Pressure/Temperature Ratings

	F648L/F658L/F678L	F644L/F654L/F674L
TEMPERATURE (°C)	-10 to 120	-10 to 82
PRESSURE (BAR)	16	16

PRESSURE RATING: PN16

END CONNECTION: Fully Lugged

OPERATOR: Trigger Lever

OTHER: Bare shaft options available

(Fig No. F648B / F658B / F644B / F654B / F678B / F674B)

Please contact us for bare shaft top works details

SPECIFICATION: End connections compatible with BS EN1092-2 PN16 flanges.

TEST PRESSURES: (Hydrostatic)

SHELL: 24 bar

SEAT: 17.6 bar

Valid as of 081220

Every effort has been made to ensure that the information contained in this publication is accurate at the time of publishing. Crane Ltd assumes no responsibility or liability for typographical errors or omissions or for any misinterpretation of the information within the publication and reserves the right to change without notice.