

# D162

Bronze Gate Valve  
Non rising stem

ANSI Class 150

D162

GENERAL VALVES



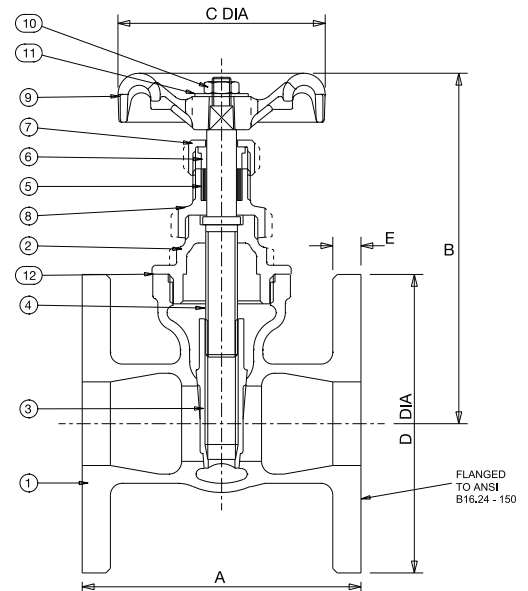
## Features & Benefits

- Crane gate valves offer the ultimate in dependable service wherever minimum pressure drop is important

## Materials

NO.	PART	MATERIAL	SIZES
1	Body	Bronze BS EN 1982 CC491K	-
2	Bonnet	Bronze BS EN 1982 CC491K	-
3	Disc	Bronze BS EN 1982 CC491K	-
4	Stem	Bronze BS EN 1982 CC491K	2 <sup>1</sup> / <sub>2</sub> & 3
4	Stem	DZR Brass BS EN 12164 CW602N	3/4 - 2
5	Packing	Asbestos Free	-
6	Gland	Brass BS EN 12164 CW614N	-
7	Packing Nut	Brass BS EN 12164 CW614N	-
8	Stuffing Box	DZR Brass BS EN 12164 CW602N	1 <sup>1</sup> / <sub>4</sub> & 1 <sup>1</sup> / <sub>2</sub>
8	Stuffing Box	Brass BS EN 12164 CW614N	2" only
8	Stuffing Box	Bronze BS EN 1982 CC491K	2 <sup>1</sup> / <sub>2</sub> & 3
8	Stem Bush	Al Bronze BS EN 12163 CW301G	3/4 & 1
9	Handwheel	MI BS EN 1562 GJMB-300-6	3" only
9	Handwheel	Aluminium	3/4 - 2 <sup>1</sup> / <sub>2</sub>
10	Handwheel Nut	Brass BS EN 12164 CW614N	-
11	Identity Plate	Aluminium	-
12	Gasket*	Asbestos Free	3" only

## Dimensional Drawing



## Dimensions & Weights

SIZE (inch)	WEIGHT (kg)	A (mm)	B (mm)	C (mm)	D (mm)	E (mm)
3/4	2.27	89	107	52	98.4	8.7
1	2.59	99	124	65	108	9.5
1 <sup>1</sup> / <sub>4</sub>	2.86	110	145	70	117.5	10.3
1 <sup>1</sup> / <sub>2</sub>	4.10	120	165	78	127	11.1
2	5.54	135	189	92	152.4	12.7
2 <sup>1</sup> / <sub>2</sub>	8.39	165	232	103	177.8	14.3
3	11.6	185	269	121	190.5	15.9

**PRESSURE RATING:** ANSI Class 150  
**TEMPERATURE OPERATING RANGE:** -10 to 186°C  
**END CONNECTION:** ANSI B16.24 Class 150

**SPECIFICATION:** Bronze Gate Valve, Non Rising Stem, Handwheel Operated, Solid Wedge Disc

Valid as of 08/2020

Every effort has been made to ensure that the information contained in this publication is accurate at the time of publishing. Crane Ltd assumes no responsibility or liability for typographical errors or omissions or for any misinterpretation of the information within the publication and reserves the right to change without notice.