

# FM82

FM82

## Cast Iron Gate Valve Rising Stem

PN16

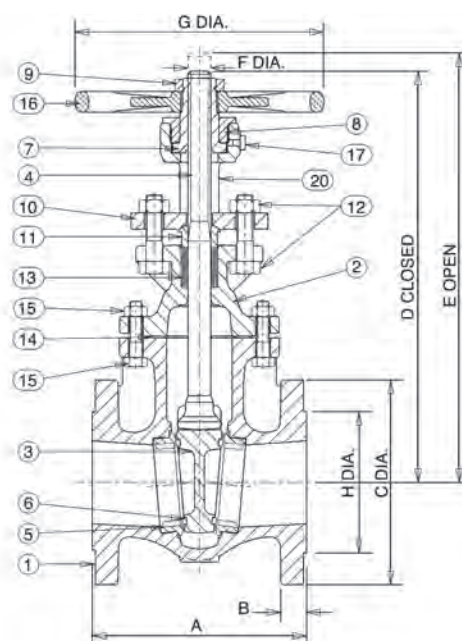
### Features & Benefits

- Crane cast iron gate valves offer the ultimate in dependable service wherever minimum pressure drop is important
- Each valve is hydrostatically tested to BS EN 12266-1: 2003
- Manufactured in accordance with BS EN 1171: 2002
- Rising stem gives visual indication of valve open position

### Materials

| NO. | PART                 | MATERIAL                             |
|-----|----------------------|--------------------------------------|
| 1   | Body                 | Cast Iron BS EN 1561 GJL-250         |
| 2   | Bonnet/Yoke          | Cast Iron BS EN 1561 GJL-250         |
| 2   | Bonnet               | Cast Iron BS EN 1561 GJL-250         |
| 3   | Disc                 | Cast Iron BS EN 1561 GJL-250         |
| 4   | Stem                 | Stainless Steel 410 S21              |
| 5   | Body Seat Ring       | Bronze BS EN 1982 CC491K             |
| 6   | Disc Seat Ring       | Bronze BS EN 1982 CC491K             |
| 7   | Yoke Sleeve          | Bronze BS EN 1982 CC491K             |
| 8   | Yoke Sleeve Retg Nut | Ductile Iron ASTM A536 65-45-12      |
| 9   | Yoke Sleeve Nut      | Malleable Iron BS EN 1562 GJMB 300-6 |
| 10  | Gland Flange         | Malleable Iron BS EN 1562 GJMB 300-6 |
| 11  | Gland (2"-4")        | Brass BS EN 12164 CW721R             |
| 11  | Gland (5"-12")       | Malleable Iron BS EN 1562 GJMB-300-6 |
| 13  | Packing              | Graphite                             |
| 14  | Bonnet Gasket        | Graphite wrapped with SS304          |
| 16  | Handwheel            | Malleable Iron BS EN 1562 GJMB-300-6 |
| 18  | Body Plate           | Aluminium                            |
| 20  | Yoke                 | Cast Iron BS EN 1561 GJL-250         |

### Dimensional Drawing



### Dimensions & Weights

| SIZE (mm) | WEIGHT (kg) | A (mm) | B (mm) | C (mm) | D (mm) | E (mm) | F (mm) | G (mm) | H (mm) |
|-----------|-------------|--------|--------|--------|--------|--------|--------|--------|--------|
| 50        | 22.5        | 178    | 20     | 165    | 334    | 399    | 19     | 203    | 102    |
| 65        | 26.4        | 190    | 20     | 185    | 354    | 432    | 19     | 203    | 122    |
| 80        | 31          | 203    | 22     | 200    | 375    | 469    | 19     | 203    | 135    |
| 100       | 44.3        | 229    | 24     | 220    | 449    | 566    | 22     | 229    | 155    |
| 125       | 72.3        | 254    | 26     | 254    | 575    | 714    | 28.5   | 305    | 185    |
| 150       | 88.1        | 267    | 26     | 279    | 649    | 813    | 28.5   | 305    | 212    |
| 200       | 140         | 292    | 30     | 340    | 800    | 1013   | 34.9   | 356    | 248    |
| 250       | 225         | 330    | 32     | 405    | 984    | 1257   | 39.7   | 406    | 320    |
| 300       | 314         | 356    | 32     | 460    | 1127   | 1454   | 39.7   | 457    | 378    |

### Pressure/Temperature Ratings

|                  |            |      |
|------------------|------------|------|
| TEMPERATURE (°C) | -10 to 120 | 200  |
| PRESSURE (BAR)   | 16         | 12.8 |

Intermediate pressure ratings shall be determined by interpolation.

**PRESSURE RATING:** PN16

**TEMPERATURE OPERATING RANGE:** -10 to 200°C

**UK END CONNECTION:** Flanged BS EN 1092-2 PN16

**OPERATOR:** Handwheel.

Gate valves are best for services that require infrequent valve operation, and where the disc is kept either fully opened or fully closed. They are not practical for throttling.

**SPECIFICATION:** Cast Iron Gate Valve, Bronze Trim, Rising SS Stem, in accordance with BS EN 1171:2002. PN16 Rated. End flanges conform to BS EN 1092-2 with raised face.

DN50 falls under SEP category, DN65 - DN125 Category 1, DN150 - DN300 Category 2. The valve is suitable for use on Group 2 gases, Group 1 Liquids and Group 2 Liquids, as defined by the Pressure Equipment Directive 2014/68/EU.\*

\* See page 159 for more information